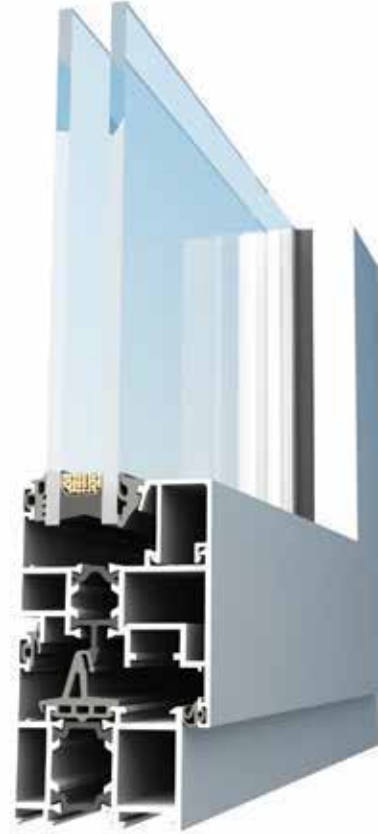


BASIC 56 WINDOW & DOOR SYSTEM

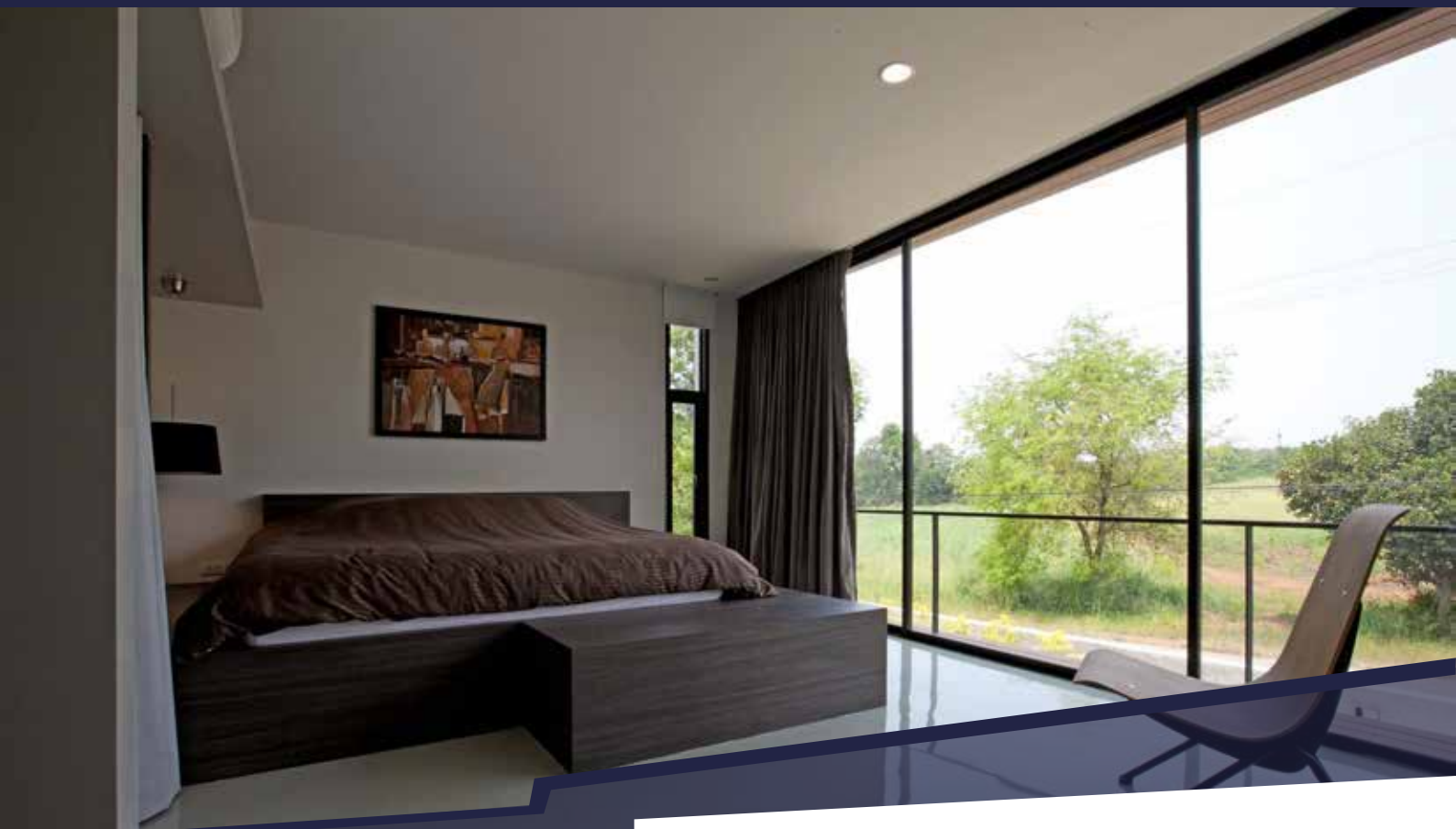
BASIC 56 is a high-performance economic alternative system for windows & doors with its 56 mm frame depth, 20 mm glass fiber reinforced polyamide thermal break and 3 compartmental structure.

The system features all kinds of desired openings and alternatives of use for windows & doors such as inward - outward opening, tilt & turn opening, vasistas window. As Euro Groove, it can be used with all opening mechanisms including PVC opening mechanism.

It has a profile wall thickness between 1.6 mm and 2.0 mm, the system allows glass usage up to 36 mm thickness. The system has 56 mm frame depth and 65 mm sash depth.



EFTCG



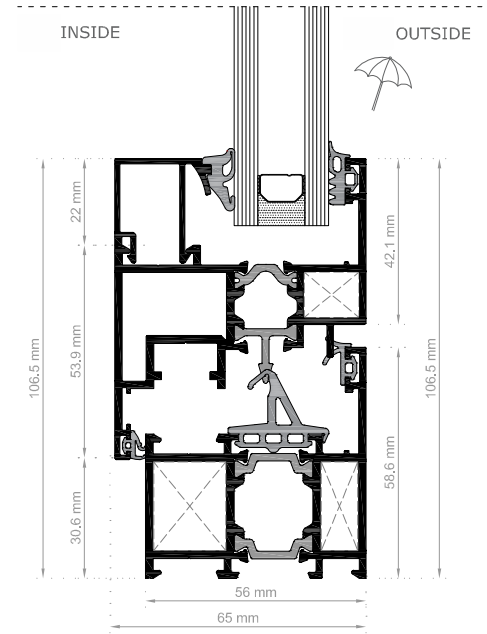
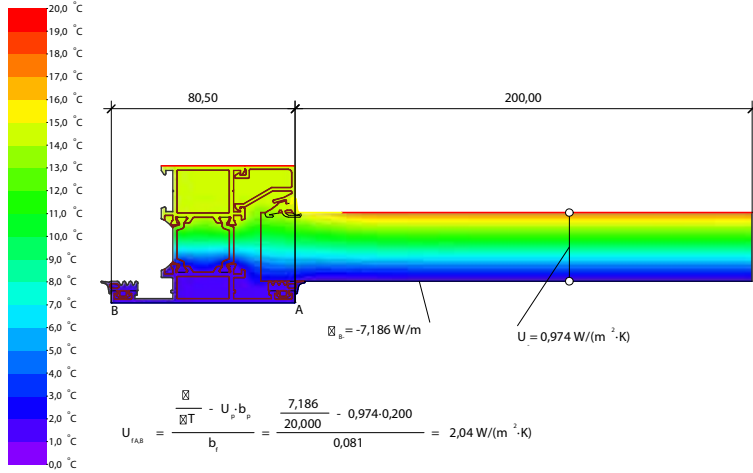
BASIC 56 WINDOW & DOOR SYSTEM

TECHNICAL SPECIFICATIONS

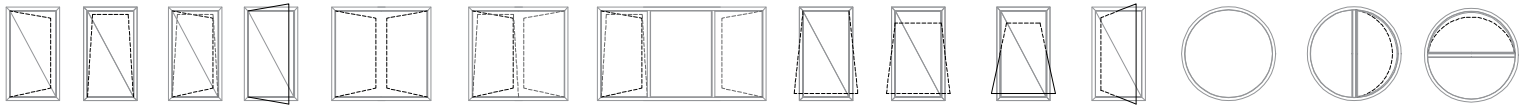
Frame Depth: 56 mm
Sash Depth: 65 mm
Glass Thickness: between 4 mm and 36 mm

PERFORMANCE FEATURES

Air Permeability: A4 - 600 Pa / EN 12207
Water Tightness: E1200 - 1200 Pa / EN 12208
Wind Load Resistance: C5-B5 - 2000 Pa / EN 12210
Thermal Insulation (Uf) 1.9 - 2.3 W/m²K



WINDOWS



DOORS

