



EFT CONSTRUCTION GROUP

Aluminium Railing Systems

**The standards stay same, but
innovation never ends...**



EFTCG
EFT CONSTRUCTION GROUP





Our company which is established in 1986 under the name EFTCG, continued with new settlement in 1998 and new name as EFTCG

Aluminium. Our head Office and showroom are located at Çağlayan / Istanbul. Our factory which is situated at the address of Beylikdüzü

Organize Sanayi Bölgesi, Mermerciler San. Sit. (15 km from Istanbul Atatürk Airport) is used by our managing and production departments.

We are fulfilling our production with the latest technology machines in worldwide standards. Our Company, who leded the producing of railing systems in Turkey and exported it's

products to international markets, is still continue to develop itself, finding new solutions with new products and increasing it's reliability. Besides we are producing;

- Frameless Glass Railing Systems
- Aluminium & Glass wind breakers
- Visual communication systems, equipments and indoor display products
- Aluminium door handles
- Vitrines and showcases

Our company which has as principles the full customer's satisfaction, best service and high quality in products is exporting the %75 of it's production. We are giving enormous importance to develop continously new products in order to give the best service in this field.

Our company as EFTCG is honored by quality certificate of ISO 9001-2008. As we are being EFTCG, we are communicating with our esteemed partners through our professional crew and systems with finding fast solutions, responding to demands and supporting until the time of delivering products.

The product demands which we are receiving from you, we are manufacturing very sensitively

in our latest technological machines and making them ready for delivery. We are providing to

deliver our goods without any problem with the latest developed packaging systems.

We are

dispatching our goods to every destination in domestic market very easily and dispatching

to every destination in international markets with the ways of road transport, sea transport,

railway transport and air transport.



SQUARE SL 14

Glass Model Railing
Camlı Model

The Profiles and Accessories Shown in the System / Sistemde Gösterilen Profil ve Aksesuarlar



EFT-5137



EFT-5136



EFT-5003



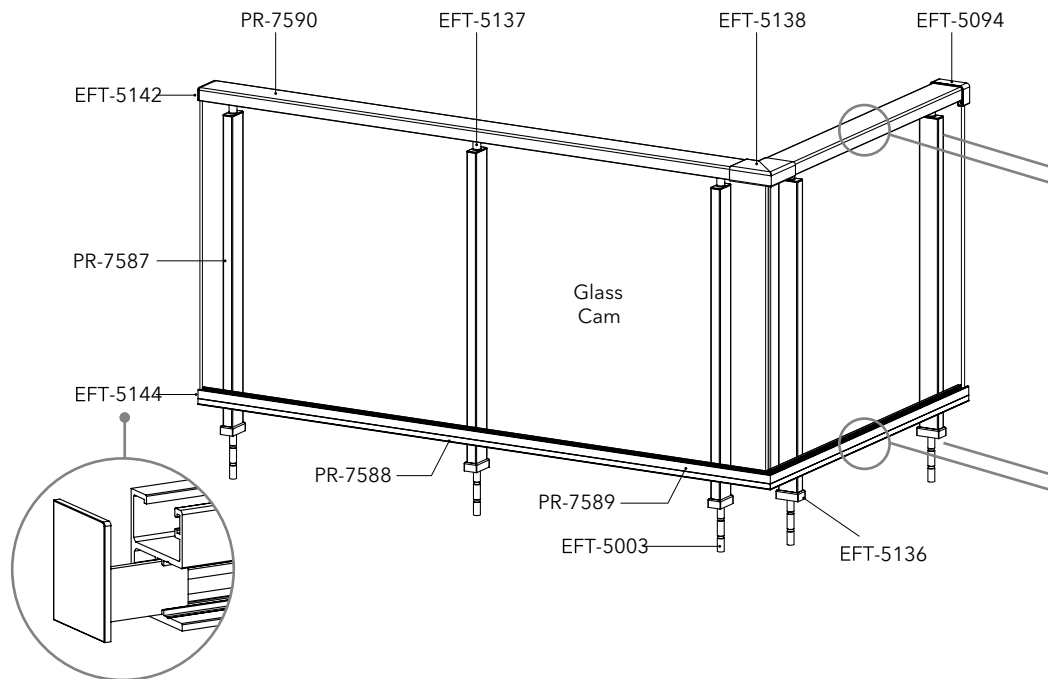
EFT-5138



EFT-5094

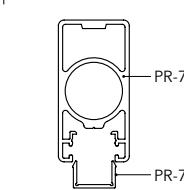
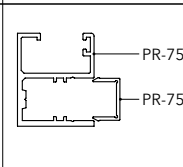
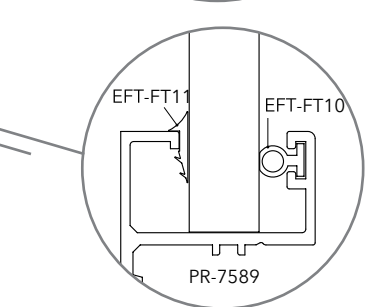
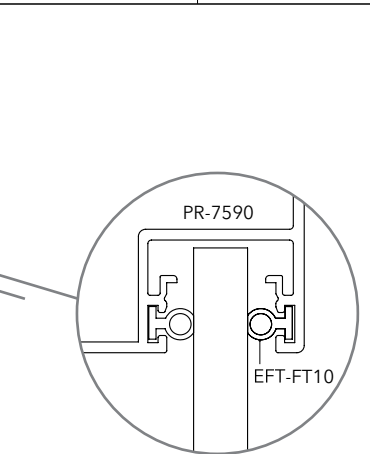


EFT-5142





RAILING Systems





SQUARE SL 15

Glass Model Railing
Camlı Model

The Profiles and Accessories Shown in the System / Sistemde Gösterilen Profil ve Aksesuarlar



EFT-5137



EFT-5136



EFT-5003



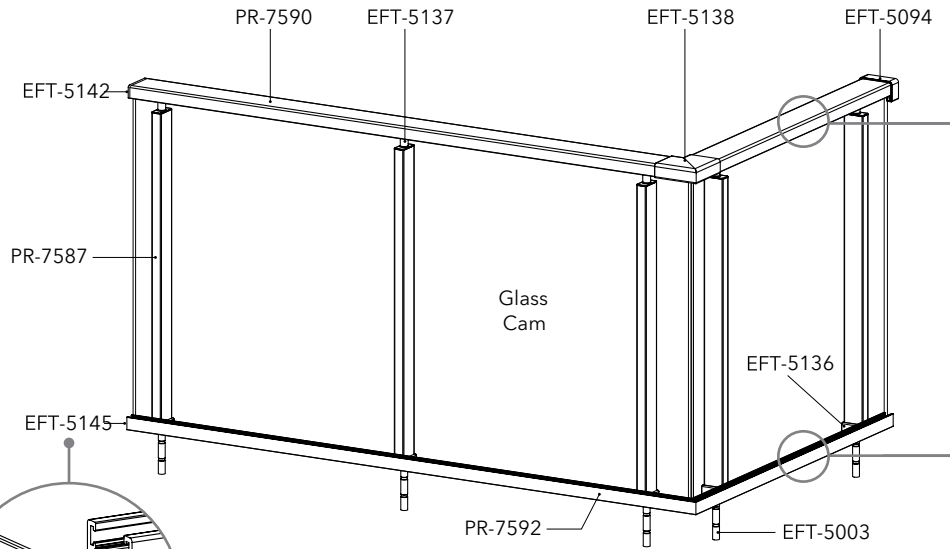
EFT-5138

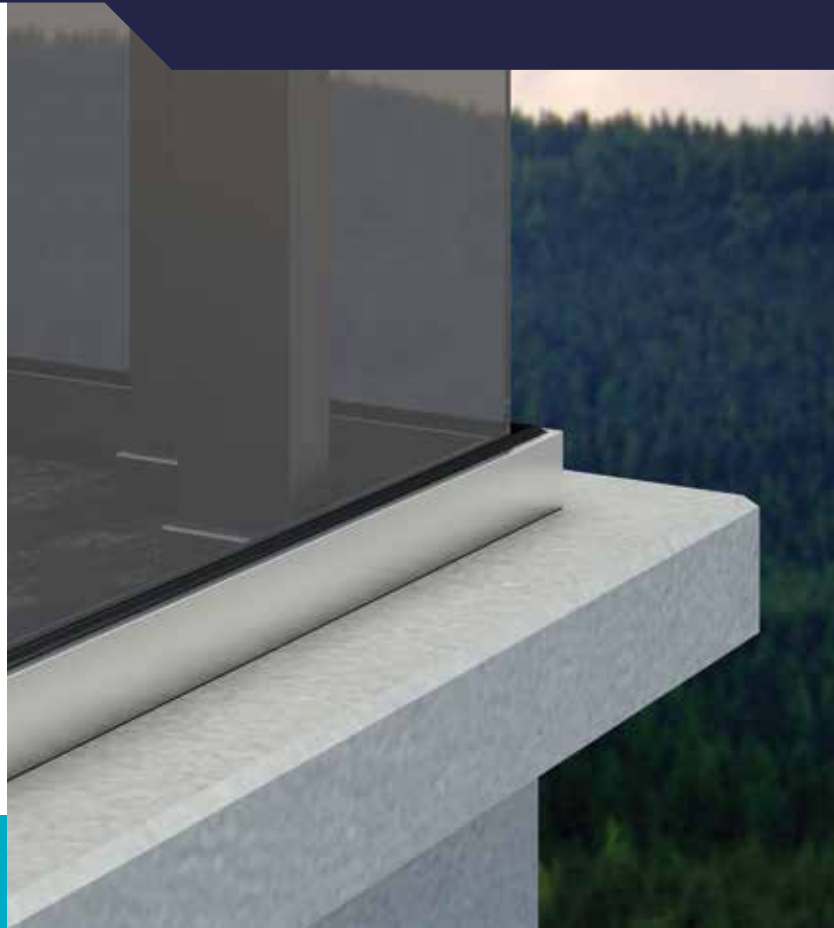


EFT-5094



EFT-5142





EFT-5145



PR-7590



PR-7587



PR-7592



PR-7588



EFT-FT10

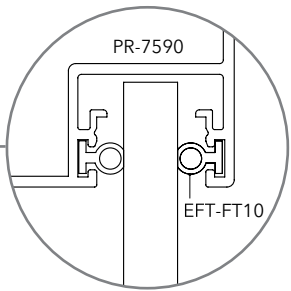
RAILING Systems



EFT-5027K

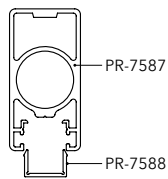


PR-8385



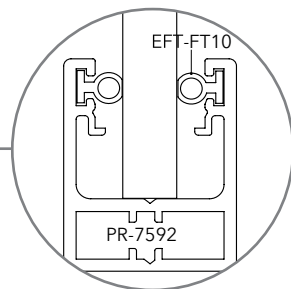
PR-7590

EFT-FT10



PR-7587

PR-7588



EFT-FT10

PR-7592





SQUARE LX14

Horizontal Safety Line
Railing

Yatay Emniyet Hatlı Model



The Profiles and Accessories Shown in the System / Sistemde Gösterilen Profil ve Aksesuarlar



EFT-5175



EFT-5165



EFT-5093



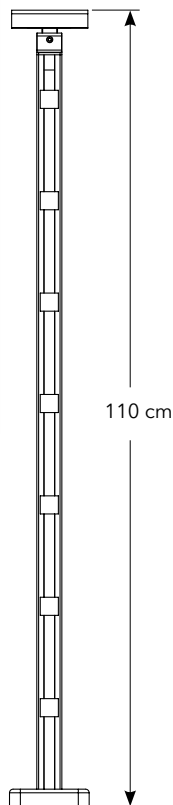
EFT-5104



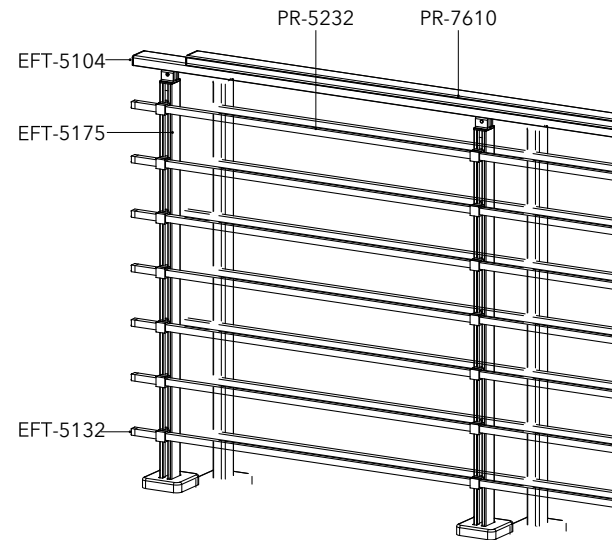
EFT-5130



EFT-5132



110 cm





PR-7610



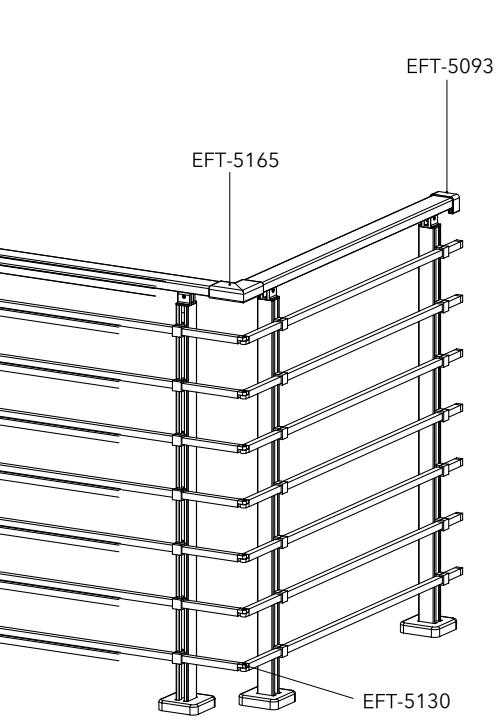
PR-5232



EFT-5027K



RAILING Systems

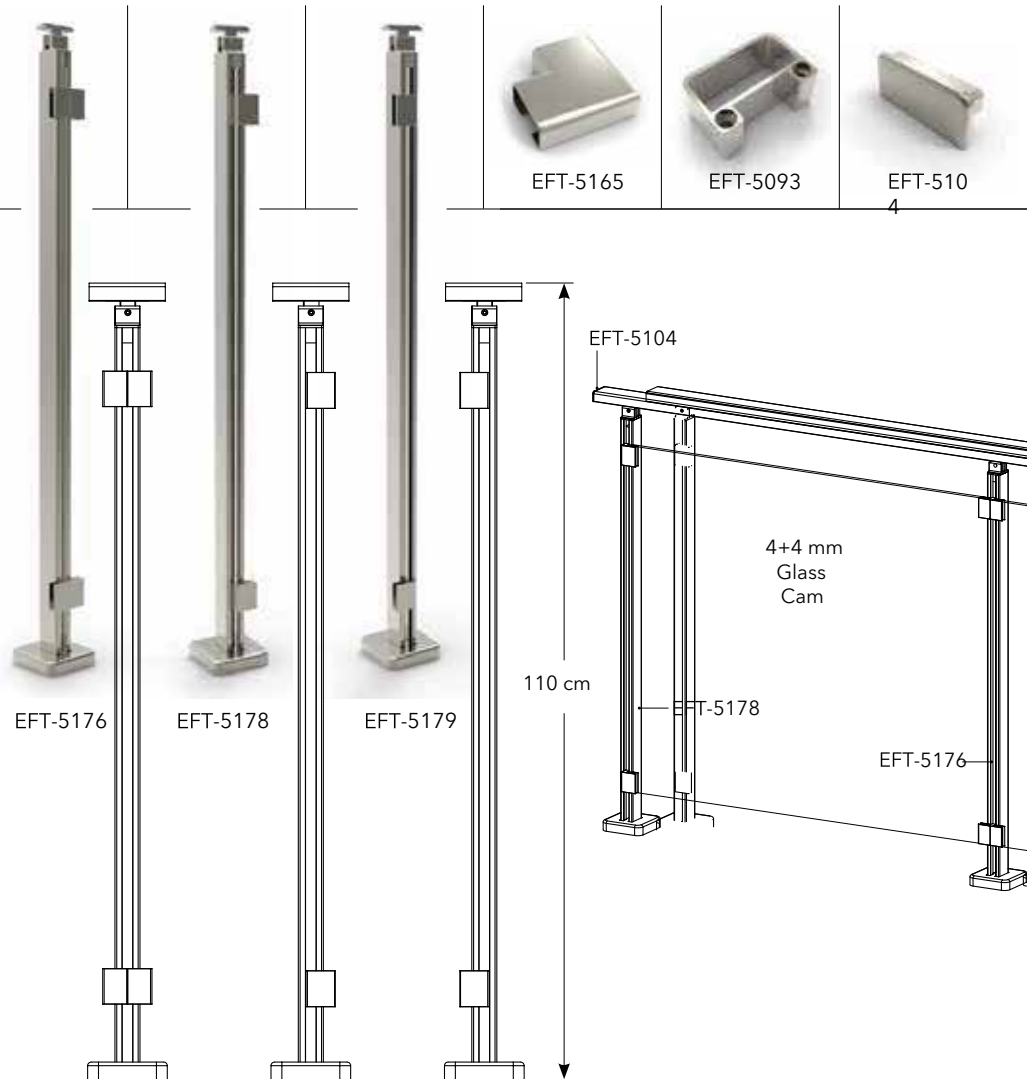




SQUARE LX15

Glass Model Railing
Camlı Model

The Profiles and Accessories Shown in the System / Sistemde Gösterilen Profil ve Aksesuarlar





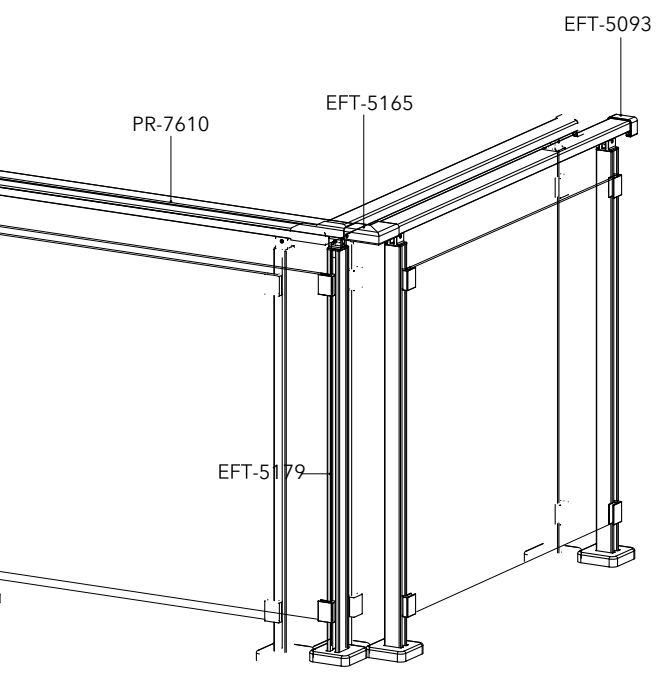
RAILING Systems



PR-7610



EFT-5027K





SQUARE LX16

Glass Model Railing
Camlı Model

The Profiles and Accessories Shown in the System / Sistemde Gösterilen Profil ve Aksesuarlar



EFT-5181



EFT-5183



EFT-5165



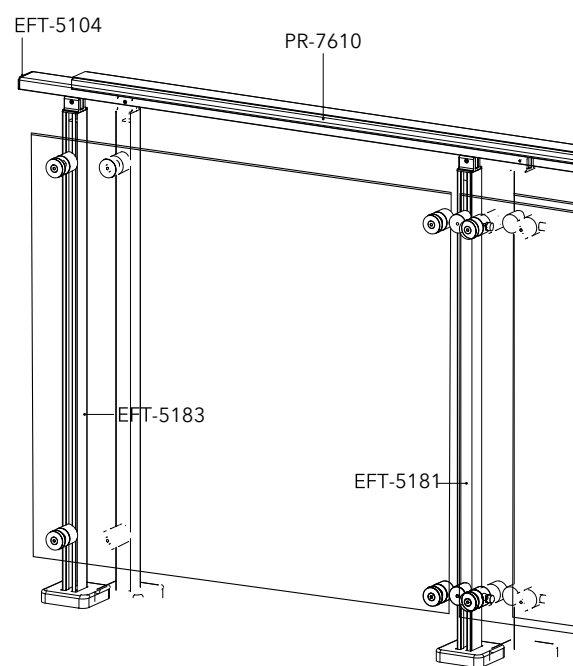
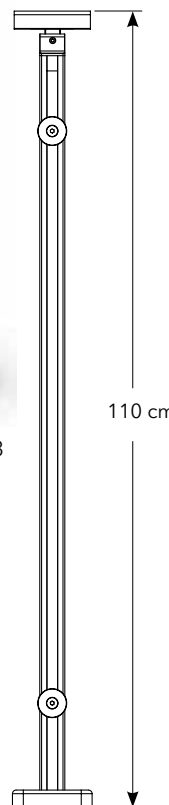
EFT-5093



EFT-5104



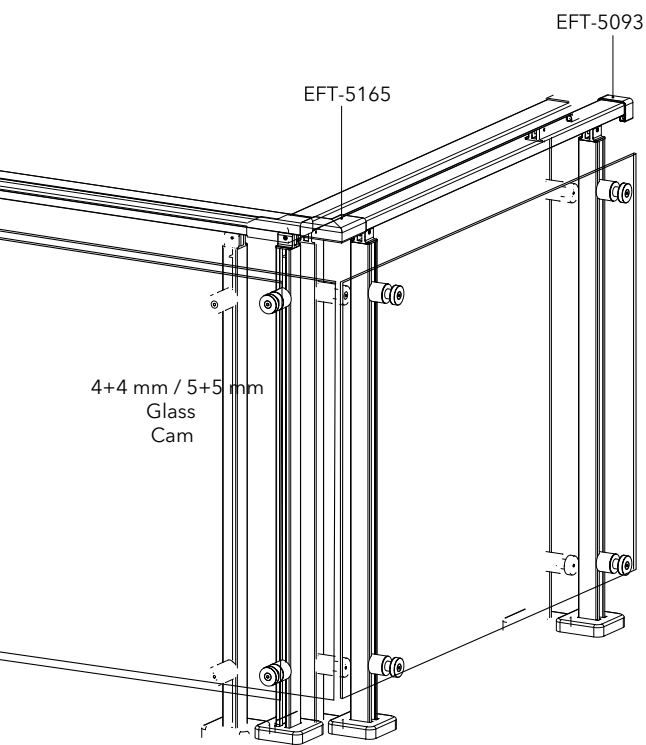
PR-7610





EFT-5027K

RAILING Systems

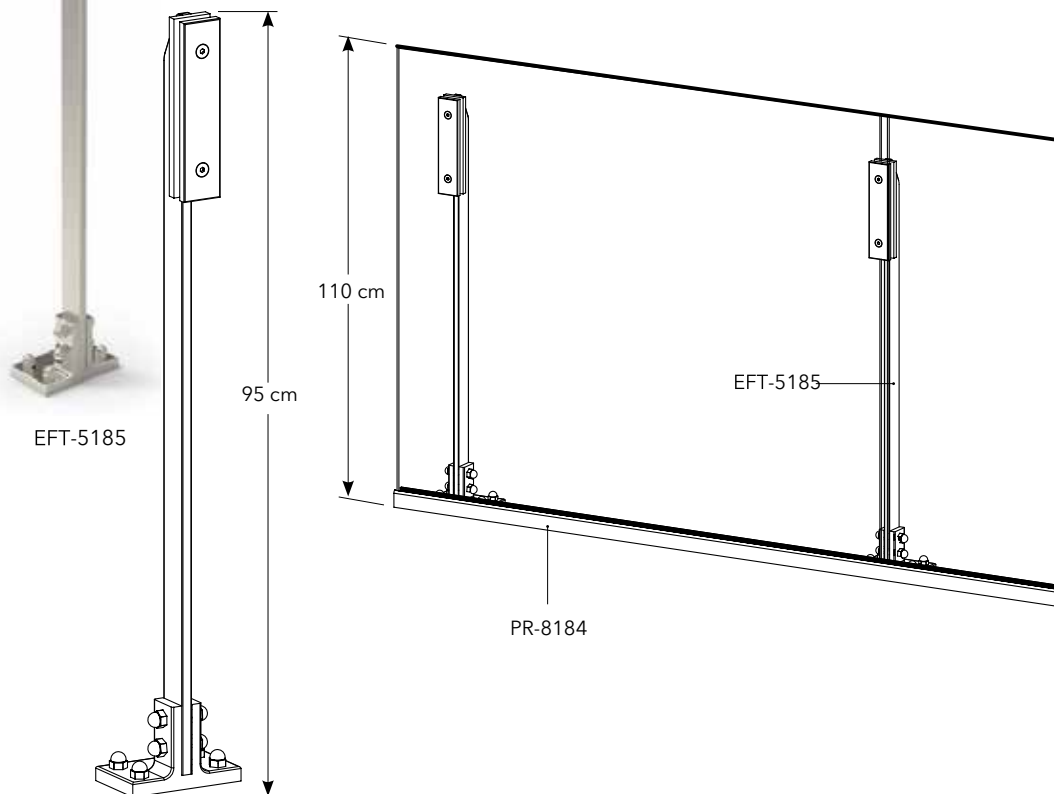




SQUARE LX17

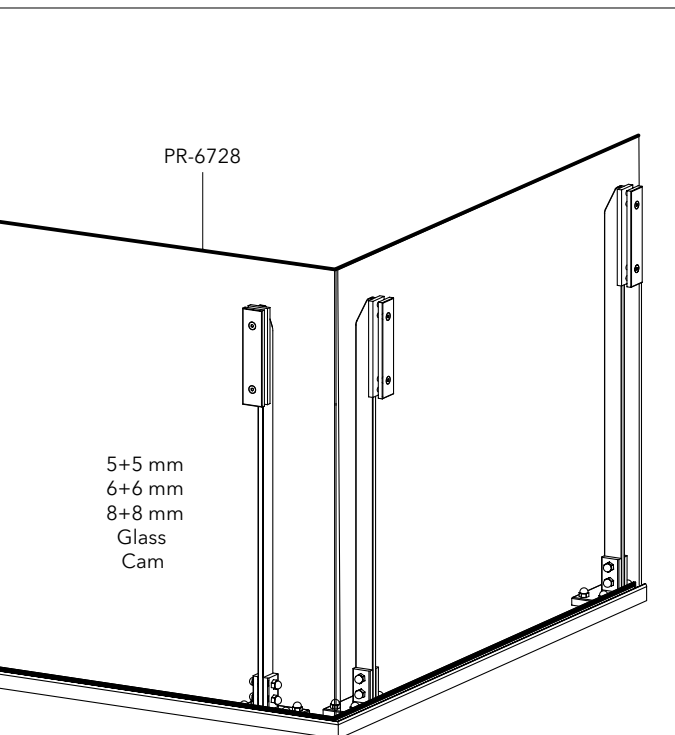
Glass Model Railing
Camlı Model

The Profiles and Accessories Shown in the System / Sistemde Gösterilen Profil ve Aksesuarlar





EFT
RAILING Systems





SQUARE LX18

Glass Model Railing
Camlı Model

The Profiles and Accessories Shown in the System / Sistemde Gösterilen Profil ve Aksesuarlar



EFT-5191



EFT-5165



EFT-5093



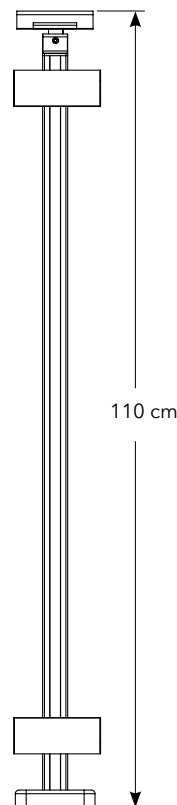
EFT-5104



PR-7610



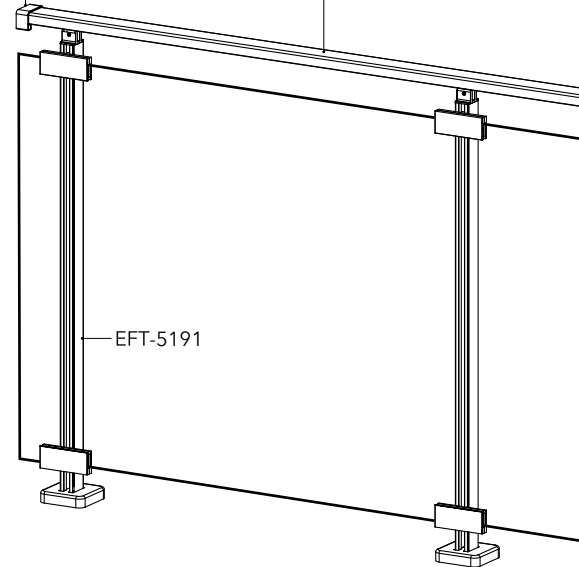
EFT-502
7K



110 cm

EFT-5093

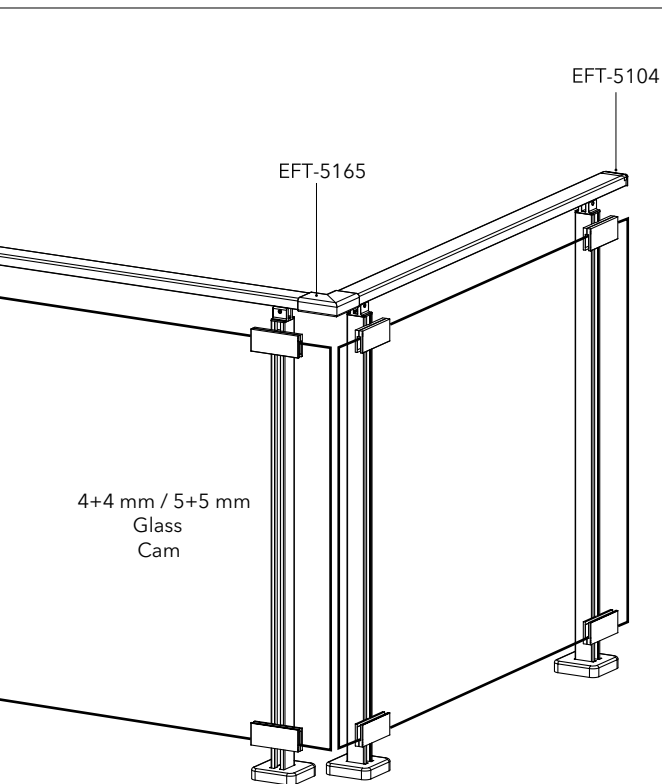
PR-7610



EFT-5191



EFT
RAILING Systems





SQUARE LX20

Glass Model Railing
Camlı Model

The Profiles and Accessories Shown in the System / Sistemde Gösterilen Profil ve Aksesuarlar



EFT-5184



PR-2108
Thickness 2.5 mm



PR-8184



EFT-5020SA



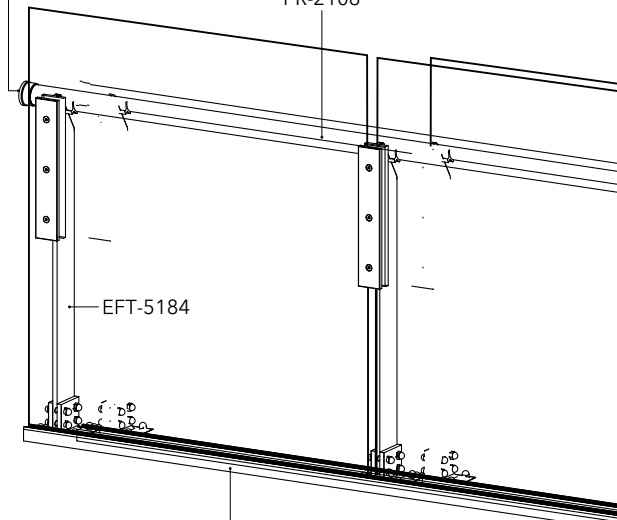
EFT-5008



PR-3442
Thickness 2 mm

EFT-5008

PR-2108



EFT-5184

PR-8184





EFT-5009

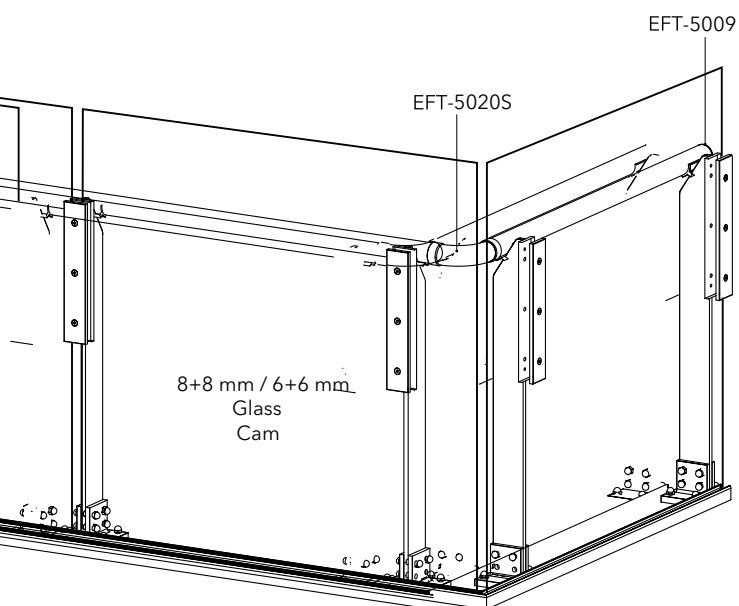


EFT-FT10



EFT-5027K

RAILING Systems





SQUARE SL 16

Glass Model Railing
Camlı Model



The Profiles and Accessories Shown in the System / Sistemde Gösterilen Profil ve Aksesuarlar



EFT-5126



EFT-5107



EFT-5003



EFT-5133



EFT-5139



EFT-5093



EFT-5125



EFT-65002

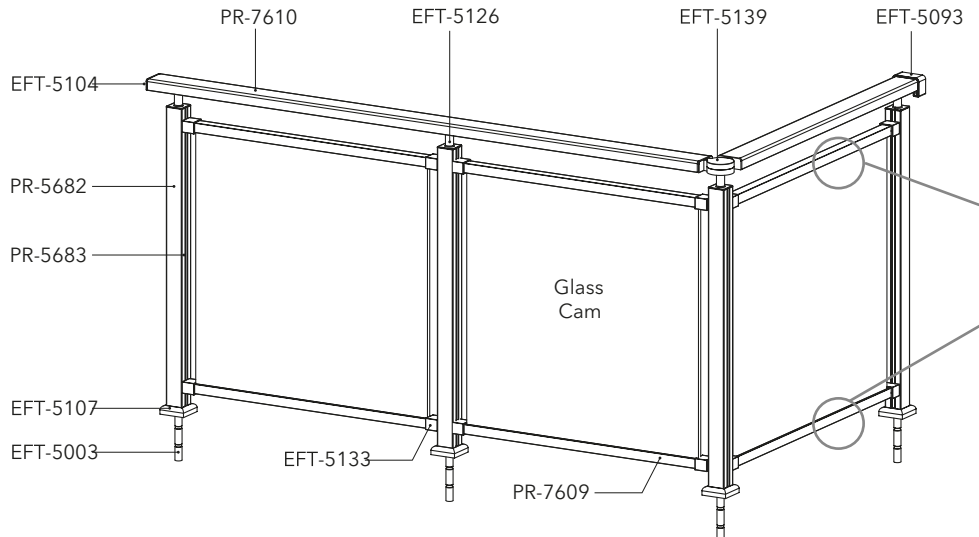


EFT-5165



EFT-5135

Profile and Accessory Alternatives / Sistem Alternatifleri





EFT-5104



PR-7609



PR-7610



PR-5682



PR-5683



EFT-FT10

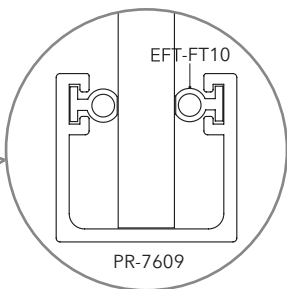
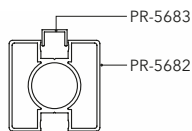
RAILING Systems



EFT-5027K



PR-8337





ROUND LINE RL 10

Horizontal Safety Line
Railing

Yatay Emniyet Hatlı Model



The Profiles and Accessories Shown in the System / Sistemde Gösterilen Profil ve Aksesuarlar

Profile and Accessory Alternatives / Sistem Alternatifleri



EFT-5039N



EFT-5036X



EFT-5011Y



EFT-5020E



EFT-5037



EFT-5009



EFT-5001



EFT-5186



EFT-5011



EFT-5020X



EFT-5008



EFT-5009Y



EFT-5039Y



EFT-5002



EFT-5011A



EFT-5020NX



EFT-5008YA



EFT-5009S



EFT-5039



EFT-5002S



EFT-5011E



EFT-5020K



EFT-5066



EFT-5036C



EFT-5020S



EFT-5002I



EFT-5089



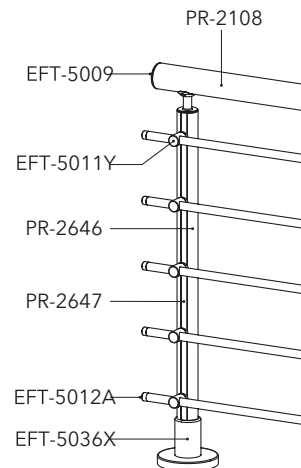
EFT-5162




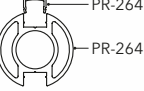
EFT-5039L



EFT-5002C





 EFT-5022A	 EFT-5012A	 EFT-5062	 PR-2108 Thickness 2.5 mm	 PR-2646 Thickness 2.5 mm	 PR-2647	 PR-1515	 EFT-5027K ETA Certified
 EFT-5022Y	 EFT-5012Y		 PR-3442 Thickness 2 mm	 PR-5202 Thickness 2 mm	 PR-2647 PR-2646	 PR-5006	





Labels in diagram: EFT-5039N, PR-1515, EFT-5020E, EFT-5037, EFT-5062, EFT-5022A



ROUND LINE RL11

Vertical Safety Line
Railing

Dikey Emniyet Hatlı Model



The Profiles and Accessories Shown in the System / Sistemde Gösterilen Profil ve Aksesuarlar

Profile and Accessory Alternatives / Sistem Alternatifleri



EFT-5039N



EFT-5089



EFT-5035



EFT-5058A



EFT-5092



EFT-5037



EFT-5001



EFT-5186



EFT-5035N



EFT-5058



EFT-5020KM



EFT-5008



EFT-5039Y



EFT-5036X



EFT-5123



EFT-5008Y
A



EFT-5039



EFT-5002



EFT-5066



EFT-5002S



EFT-5002I



EFT-5036C



EFT-5039L



EFT-5002C



RAILING Systems



EFT-5062



PR-2108
Thickness 2.5 mm



PR-2646
Thickness 2.5 mm



PR-2647



PR-3000



PR-1515



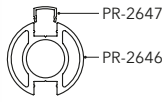
EFT-5027K
ETA Certified



PR-3442
Thickness 2 mm



PR-5202
Thickness 2 mm



PR-2647
PR-2646



PR-3000-D



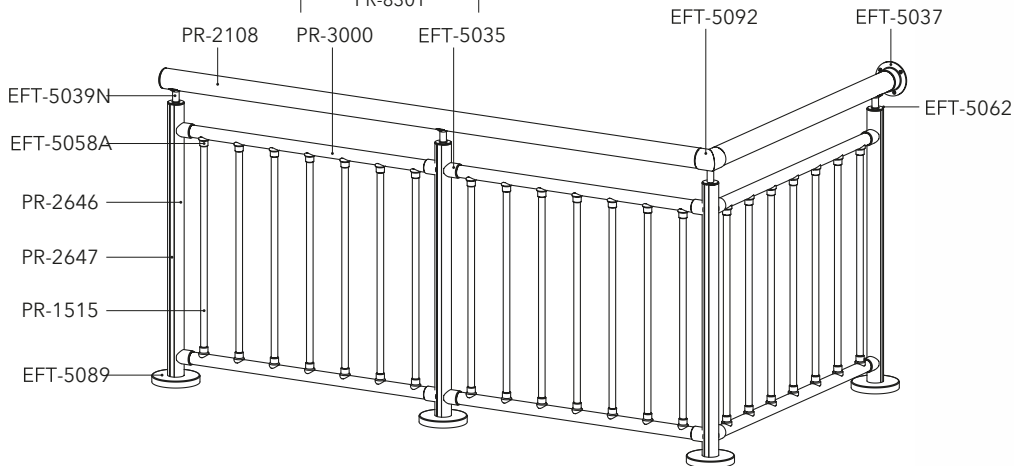
PR-5006

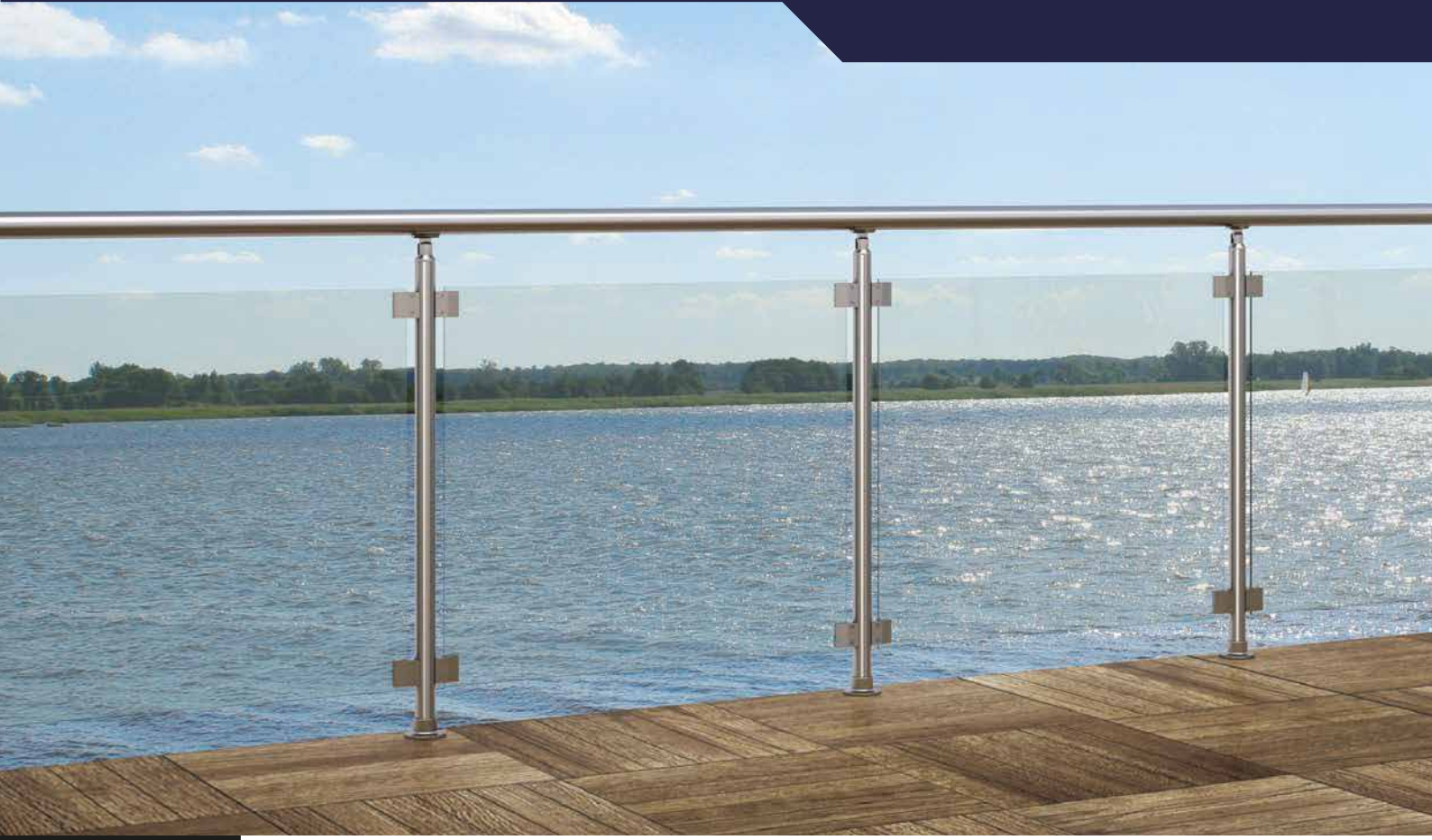


PR-6060



PR-8301





ROUND LINE RL 12

Glass Model Railing
Camlı Model



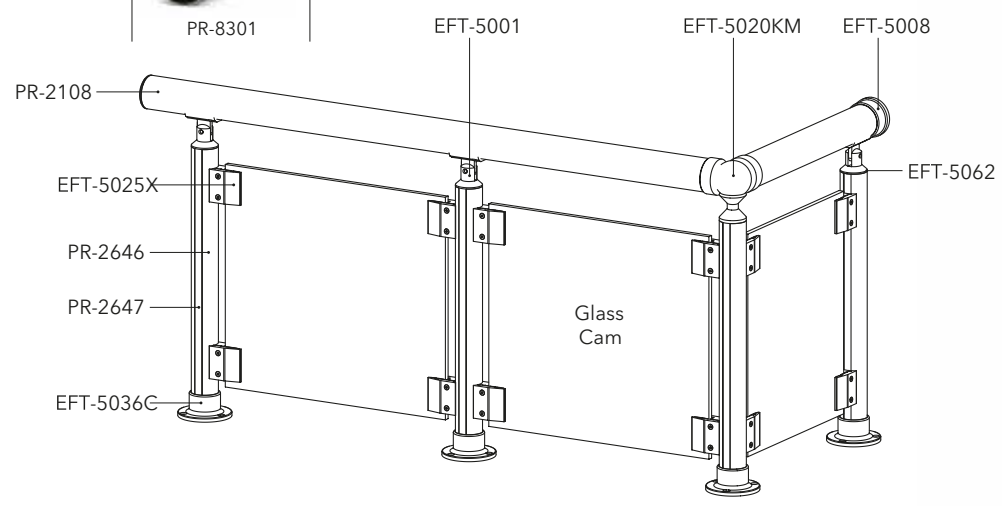
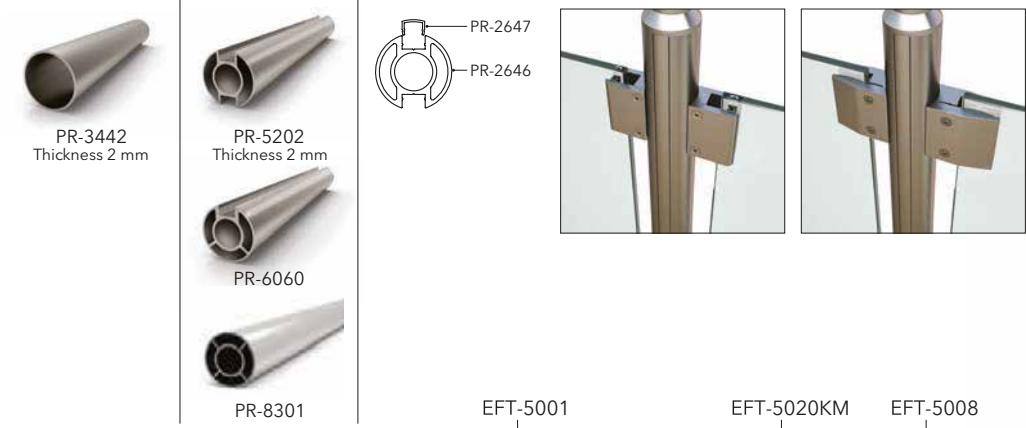
The Profiles and Accessories Shown in the System / Sistemde Gösterilen Profil ve Aksesuarlar

					
EFT-5039N	EFT-5036C	EFT-5025X	EFT-5092	EFT-5008	EFT-5062
					
EFT-5001	EFT-5186	EFT-5127	EFT-5020KM	EFT-5037	
					
EFT-5039Y	EFT-5036X	EFT-5014N	EFT-5008YA		
					
EFT-5039	EFT-5002	EFT-5014			
					
EFT-5066	EFT-5002S	EFT-5025A			
					
EFT-5002I	EFT-5089	EFT-5025			
					
EFT-5039L	EFT-5002C				

Profile and Accessory Alternatives / Sistem Alternatifleri



RAILING Systems





COMBi LINE CL10

Side Mount Railing
Alından Bağlantı Korkuluk

The Profiles and Accessories Shown in the System / Sistemde Gösterilen Profil ve Aksesuarlar



EFT-5128



EFT-5031U-15



EFT-5118



EFT-5132



EFT-5130



EFT-5129



EFT-5135



EFT-5031U



EFT-5131



EFT-5165



EFT-5187



EFT-5069



EFT-5030

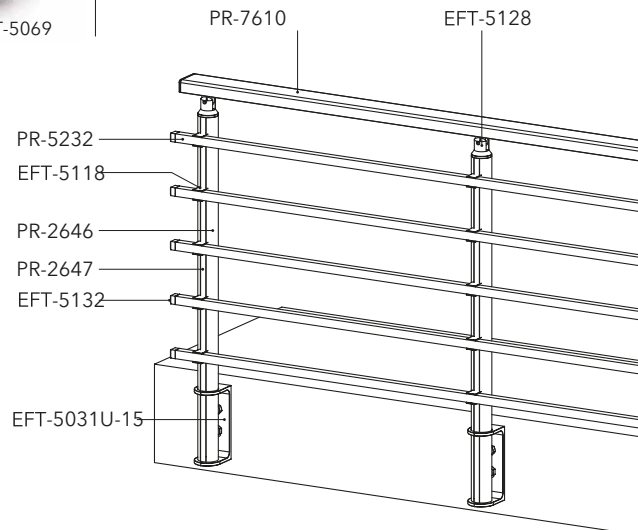


EFT-5018



EFT-5029

Profile and Accessory Alternatives / Sistem Alternatifleri





EFT-5093



PR-7610



PR-2646
Thickness 2.5 mm



PR-2647



PR-5232



EFT-5027K



RAILING Systems



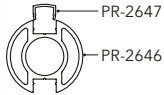
PR-5202
Thickness 2 mm



PR-6060



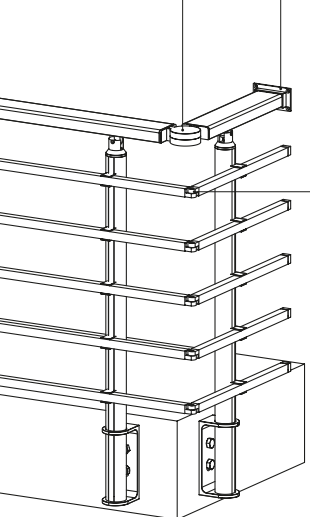
PR-8301



PR-2647

PR-2646

EFT-5129 EFT-5093



EFT-5130





SQUARE SL 10

Horizontal Safety Line
Railing

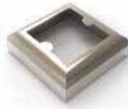
Yatay Emniyet Hatlı Model



The Profiles and Accessories Shown in the System / Sistemde Gösterilen Profil ve Aksesuarlar



EFT-5126



EFT-5107



EFT-5003



EFT-5131



EFT-5132



EFT-5130



EFT-5125



EFT-65002



EFT-5003E



EFT-5070



EFT-5135



EFT-5141

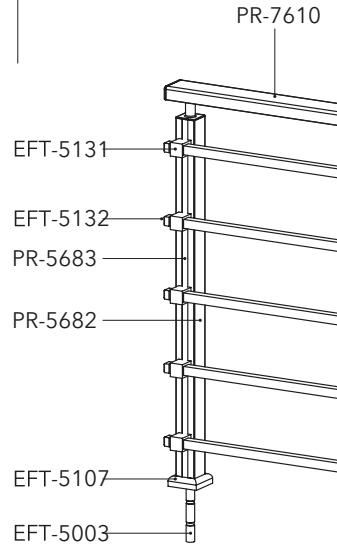


EFT-5003-40



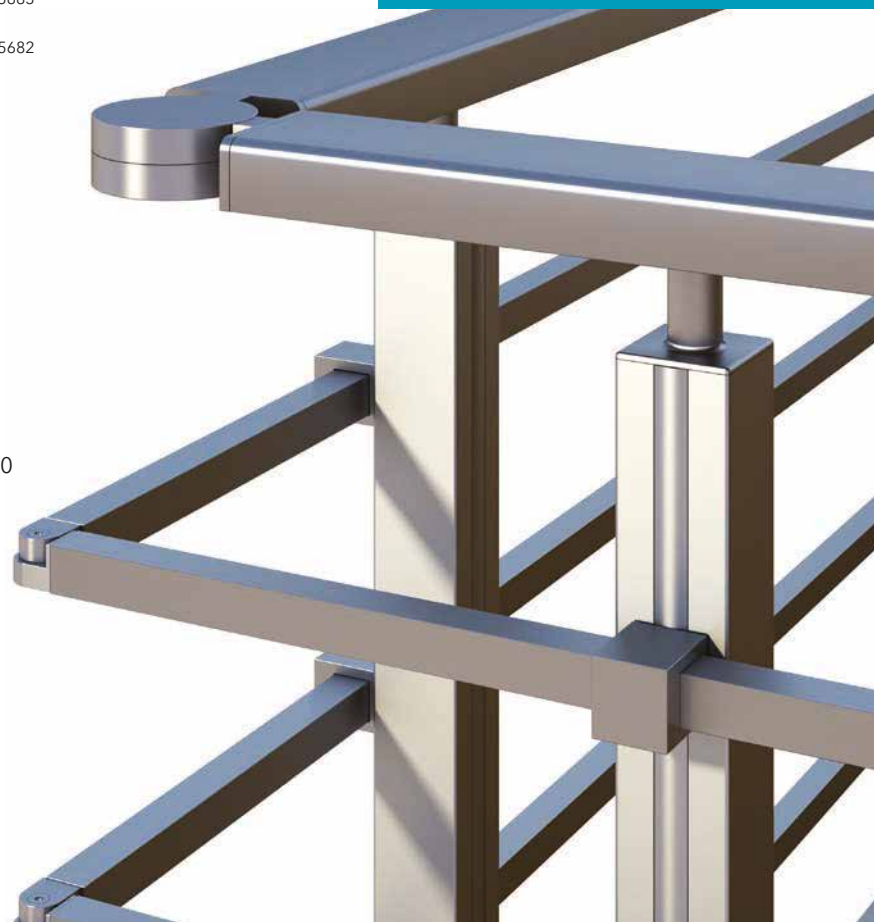
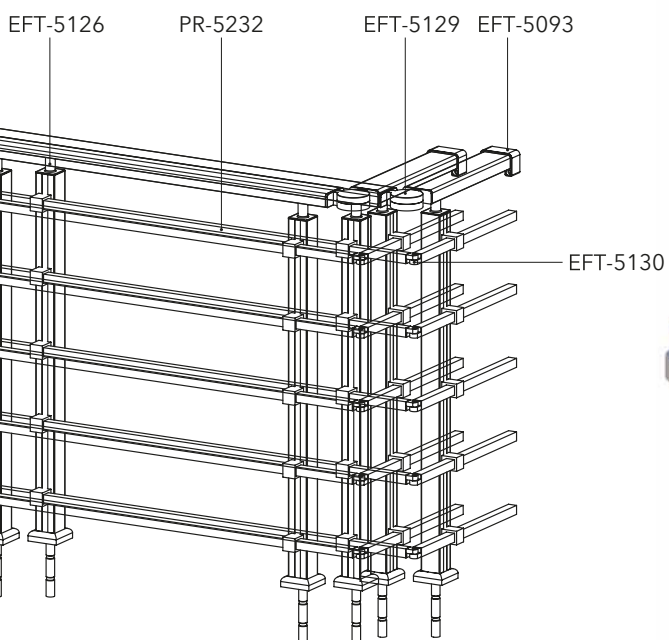
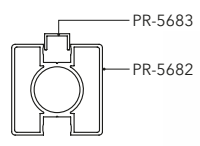
EFT-5119

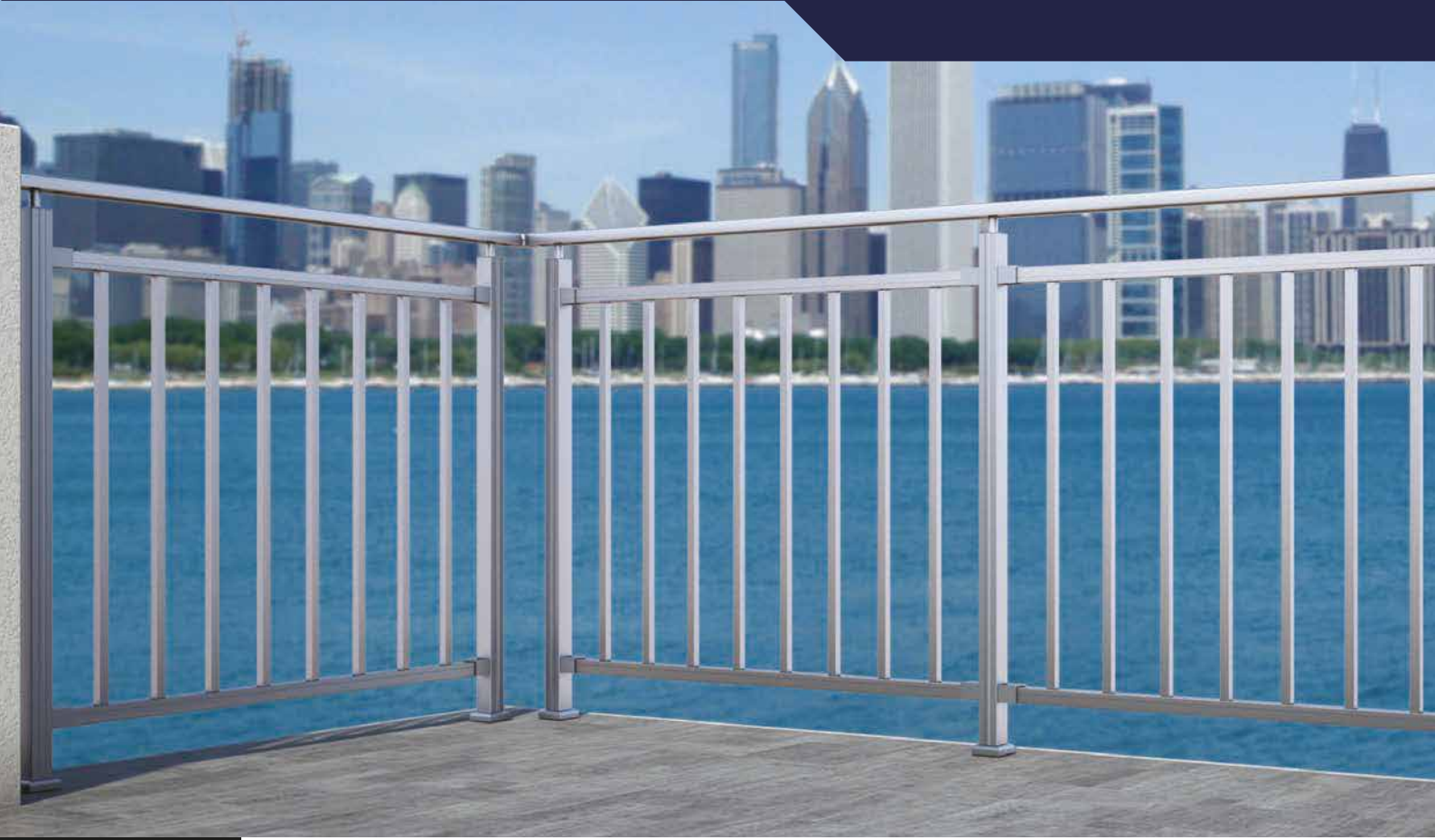
Profile and Accessory Alternatives / Sistem Alternatifleri





RAILING Systems





SQUARE SL11

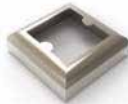
Vertical Safety Line
Railing
Dikey Emniyet Hatlı Model



The Profiles and Accessories Shown in the System / Sistemde Gösterilen Profil ve Aksesuarlar



EFT-5126



EFT-5107



EFT-5003



EFT-5115



EFT-5104



EFT-5129



EFT-5125



EFT-65002



EFT-5003E



EFT-5165



EFT-5135

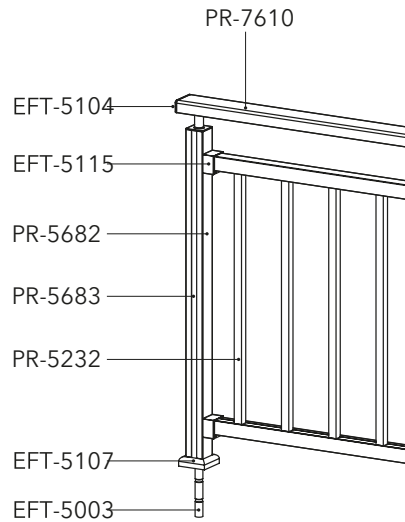


EFT-5141



EFT-5003-40

Profile and Accessory Alternatives / Sistem Alternatifleri





RAILING Systems



EFT-5093



PR-5682



PR-5683



PR-7610



PR-6862



PR-4228



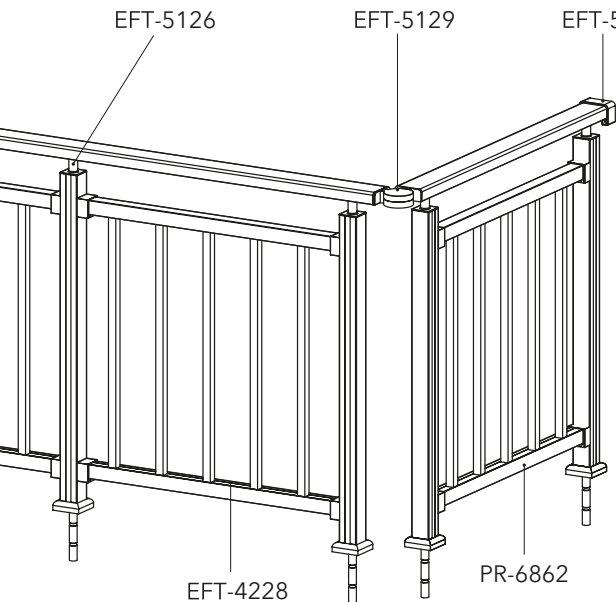
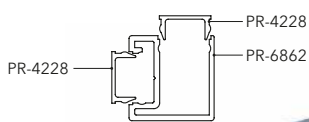
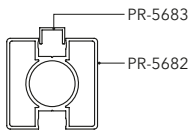
PR-5232



EFT-5027K



PR-8337





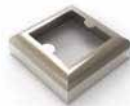
SQUARE SL 12

Glass Model Railing
Camlı Model

The Profiles and Accessories Shown in the System / Sistemde Gösterilen Profil ve Aksesuarlar



EFT-5126



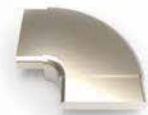
EFT-5107



EFT-5003



EFT-5105



EFT-5109



EFT-5093



EFT-5125



EFT-65002



EFT-5003E



EFT-5103



EFT-5129



EFT-5135



EFT-5141



EFT-5003-40



EFT-5106



EFT-5110



EFT-5014



EFT-5100



EFT-5015



EFT-5139



EFT-5016



EFT-5165

EFT-510

4

EFT-510

5

PR-5682

PR-5683

EFT-510

7

EFT-500

3

Profile and Accessory Alternatives / Sistem Alternatifleri





RAILING Systems



EFT-5104



PR-5682



PR-5683



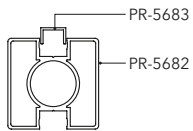
PR-7610



EFT-5027K

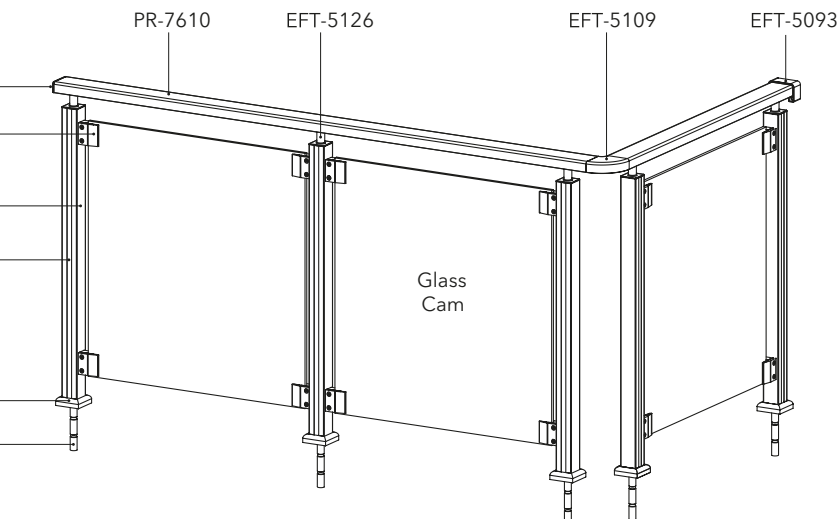


PR-8337



PR-5683

PR-5682





COMBi LINE CL11

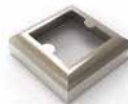
Horizontal Safety Line
Railing
Yatay Emniyet Hatlı Model



The Profiles and Accessories Shown in the System / Sistemde Gösterilen Profil ve Aksesuarlar



EFT-5126



EFT-5107



EFT-5003



EFT-5095



EFT-5109



EFT-5093



EFT-5125



EFT-65002



EFT-5003E



EFT-5097



EFT-5129



EFT-5135



EFT-5141



EFT-5003-40



EFT-5110



EFT-5100

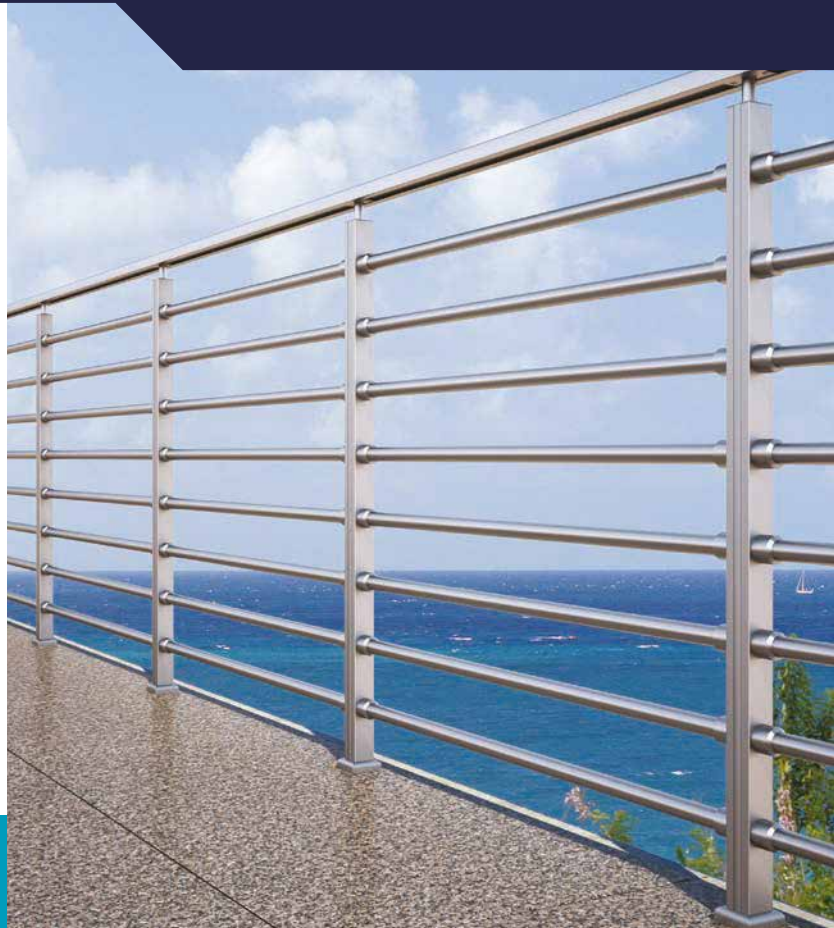


EFT-5139



EFT-5165

Profile and Accessory Alternatives / Sistem Alternatifleri



EFT-5104



PR-5682



PR-5683



PR-7610



PR-3879

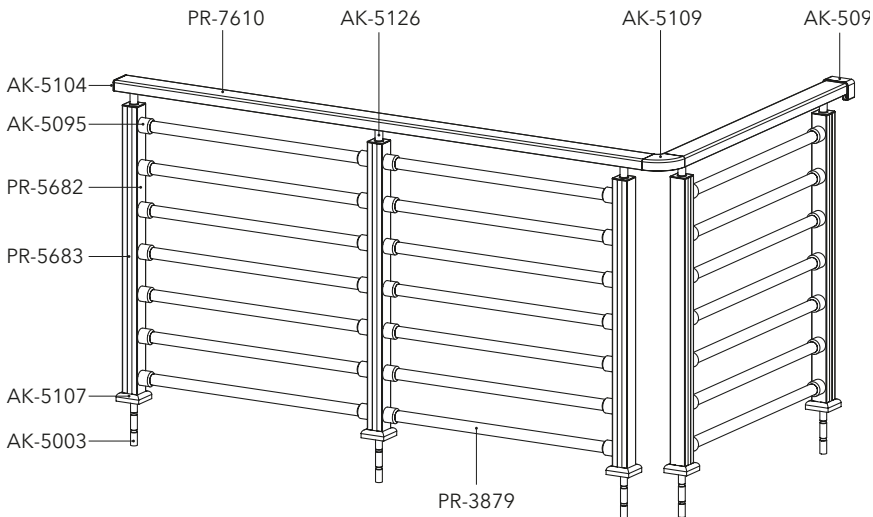
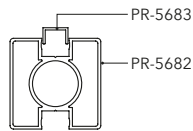


EFT-5027K

RAILING Systems



PR-8337





COMBI LINE CL13

Glass Model Railing
Camlı Model

The Profiles and Accessories Shown in the System / Sistemde Gösterilen Profil ve Aksesuarlar



EFT-65001



EFT-5141



EFT-5121



EFT-5020X



EFT-5037



PR-2108



EFT-65039Y



EFT-5107



EFT-5103



EFT-5020NX



EFT-5037-55



EFT-5017



EFT-65002



EFT-5003



EFT-5020K



EFT-5008



EFT-5020S



EFT-5008YA

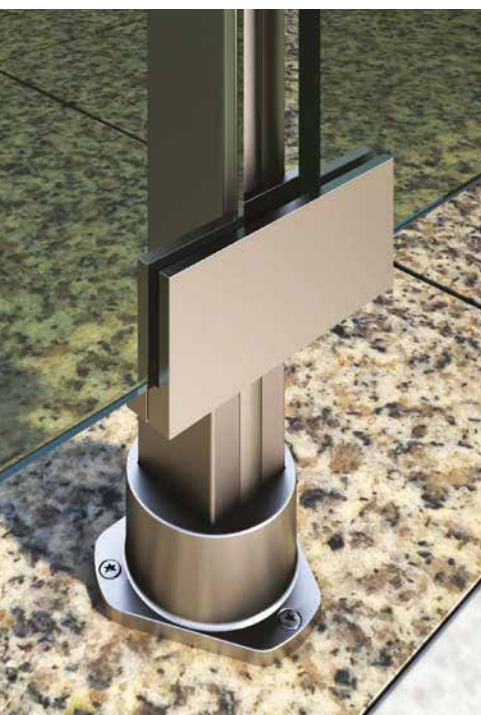


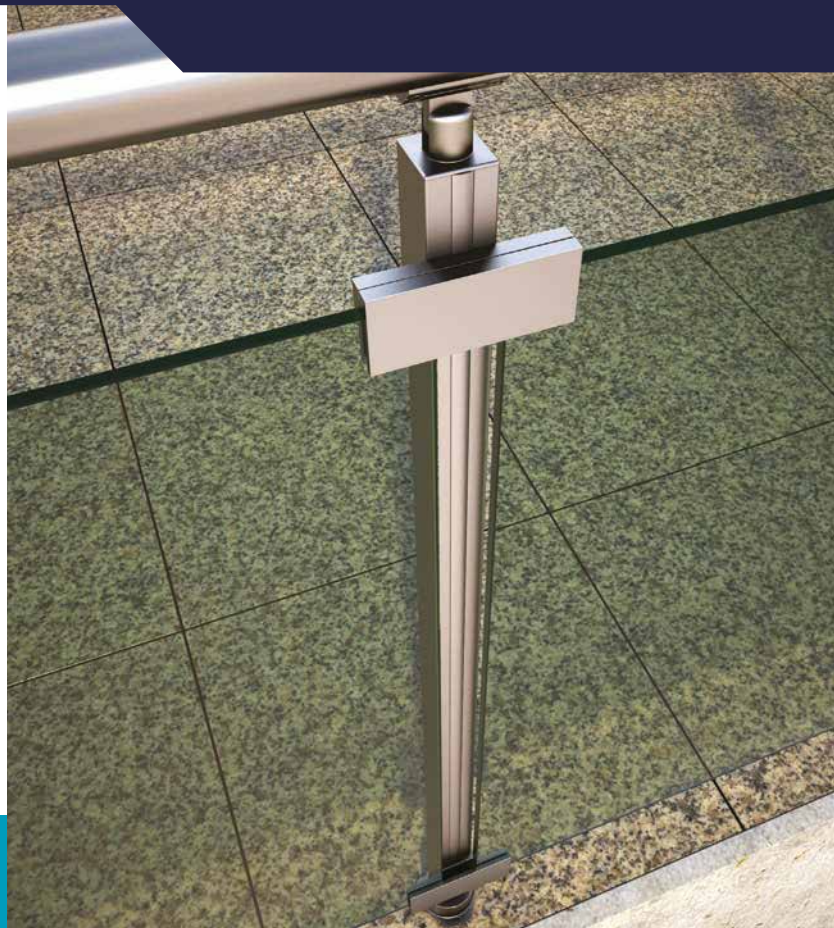
EFT-5020E



EFT-5162

Profile and Accessory Alternatives / Sistem Alternatifleri





RAILING Systems



PR-5682



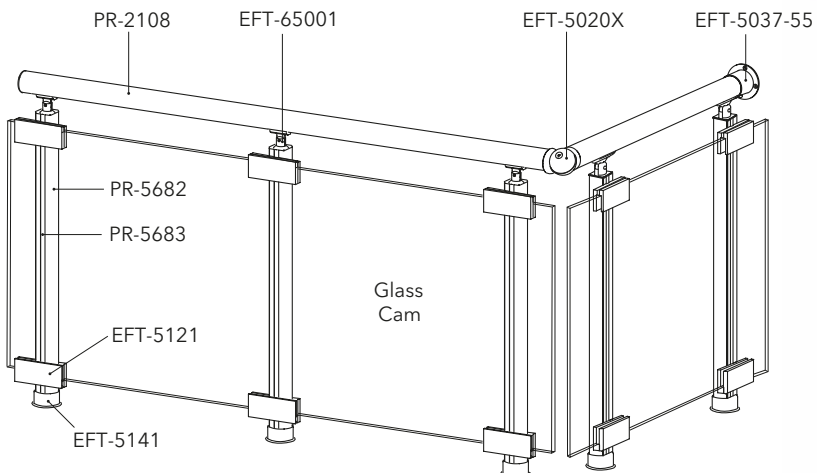
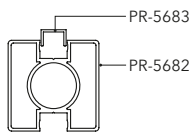
PR-5683



EFT-5027K



PR-8337





ROUND LINE RL 14

Glass Model Railing
Camlı Model

The Profiles and Accessories Shown in the System / Sistemde Gösterilen Profil ve Aksesuarlar



EFT-5001



EFT-5062



EFT-5089



EFT-5096



EFT-5035-26



EFT-5020
K



EFT-5039Y



EFT-5036C



EFT-5020X



EFT-5039N



EFT-5036X



EFT-5162



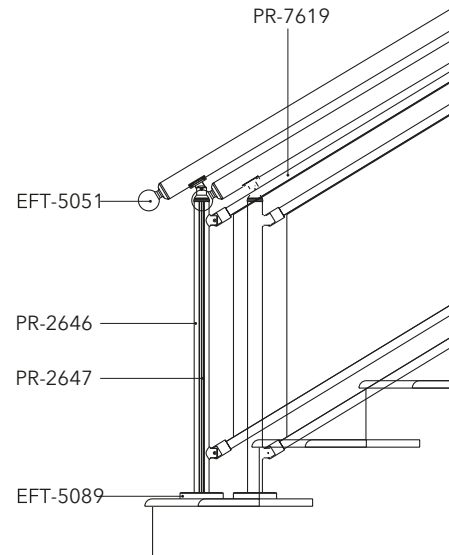
EFT-5039



EFT-5186



EFT-5066





EFT-5051



PR-7619



PR-2108
Thickness 2.5 mm



PR-2646
Thickness 2.5 mm



PR-2647



EFT-5027K

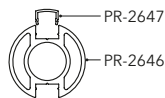
RAILING Systems



PR-3442
Thickness 2 mm



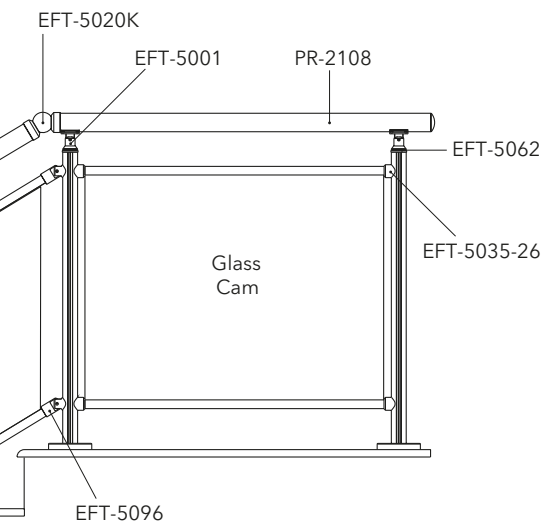
PR-5202
Thickness 2 mm

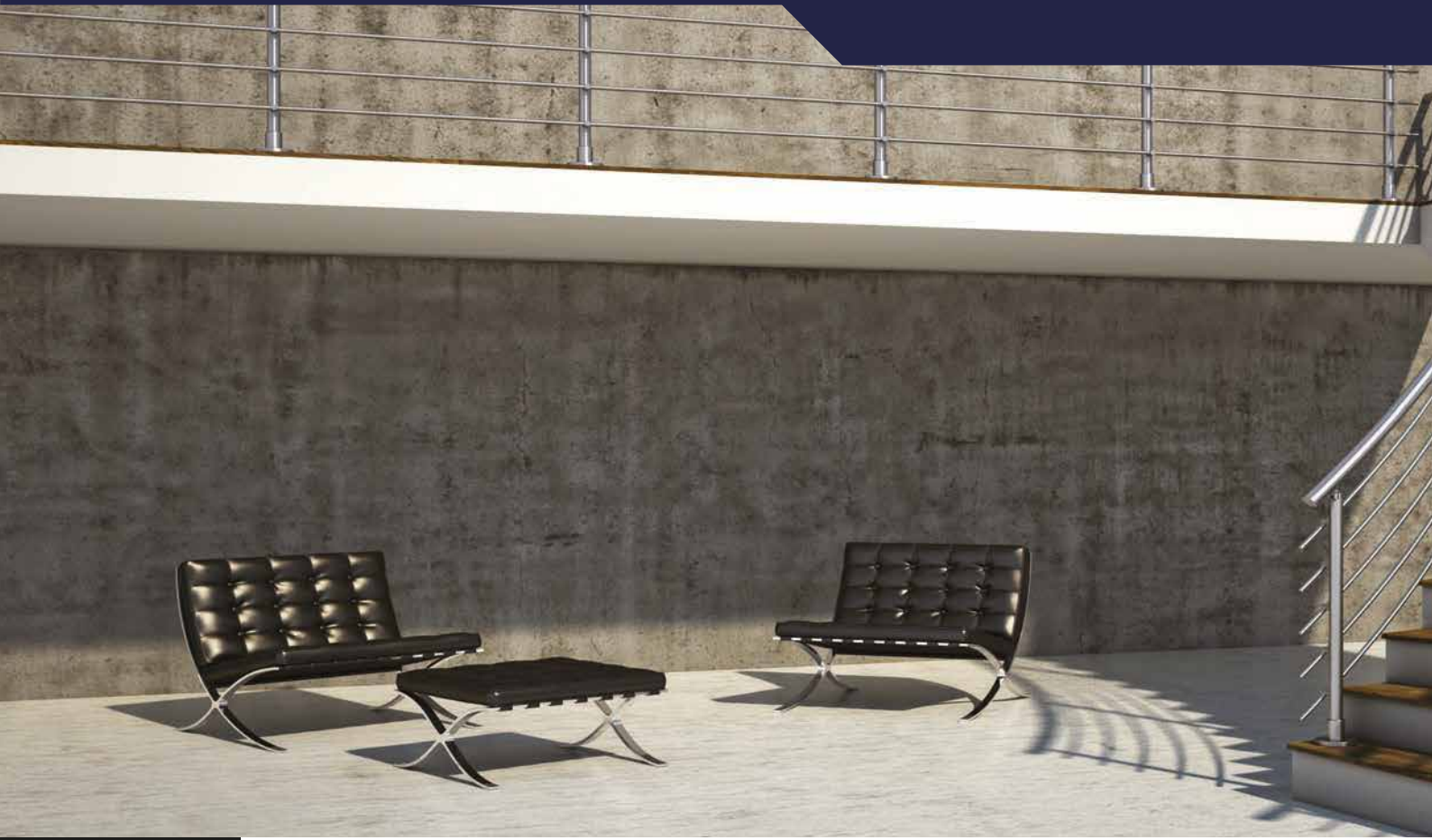


PR-6060



PR-5005


























ROUND LINE RL17

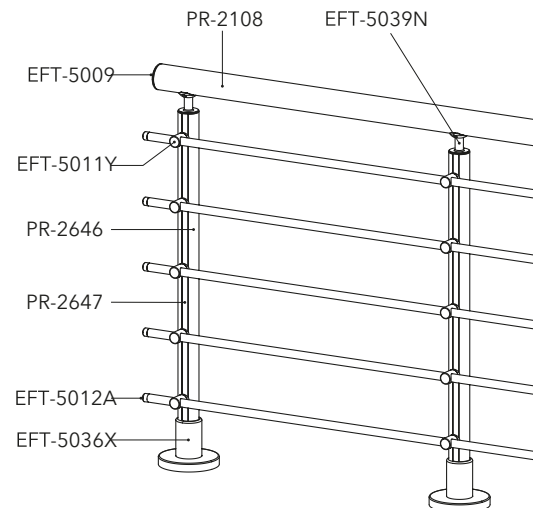
Horizontal Safety Line
Railing
Yatay Emniyet Hatlı Model

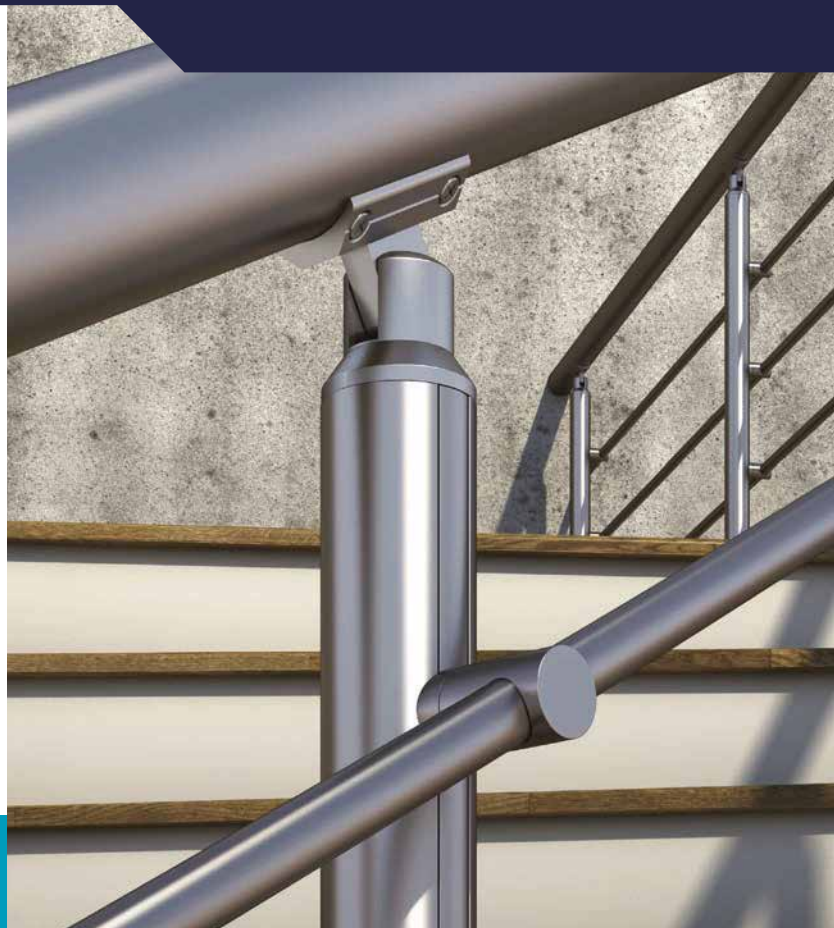


The Profiles and Accessories Shown in the System / Sistemde Gösterilen Profil ve Aksesuarlar

 EFT-5001	 EFT-5036X	 EFT-5011Y	 EFT-5022Y	 EFT-5020K	 EFT-5009
 EFT-5066	 EFT-5186	 EFT-5011	 EFT-5020X	 EFT-5009 S	
 EFT-5017	 EFT-5002C	 EFT-5011A	 EFT-5162		
	 EFT-5002S	 EFT-5011E			
	 EFT-5036C				
	 EFT-5002				
	 EFT-5089				
	 EFT-5003				

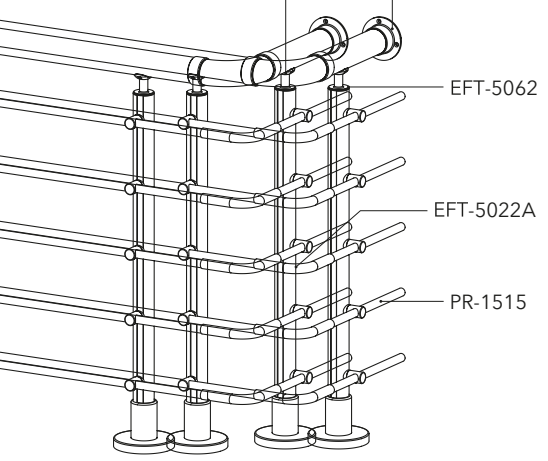
Profile and Accessory Alternatives / Sistem Alternatifleri

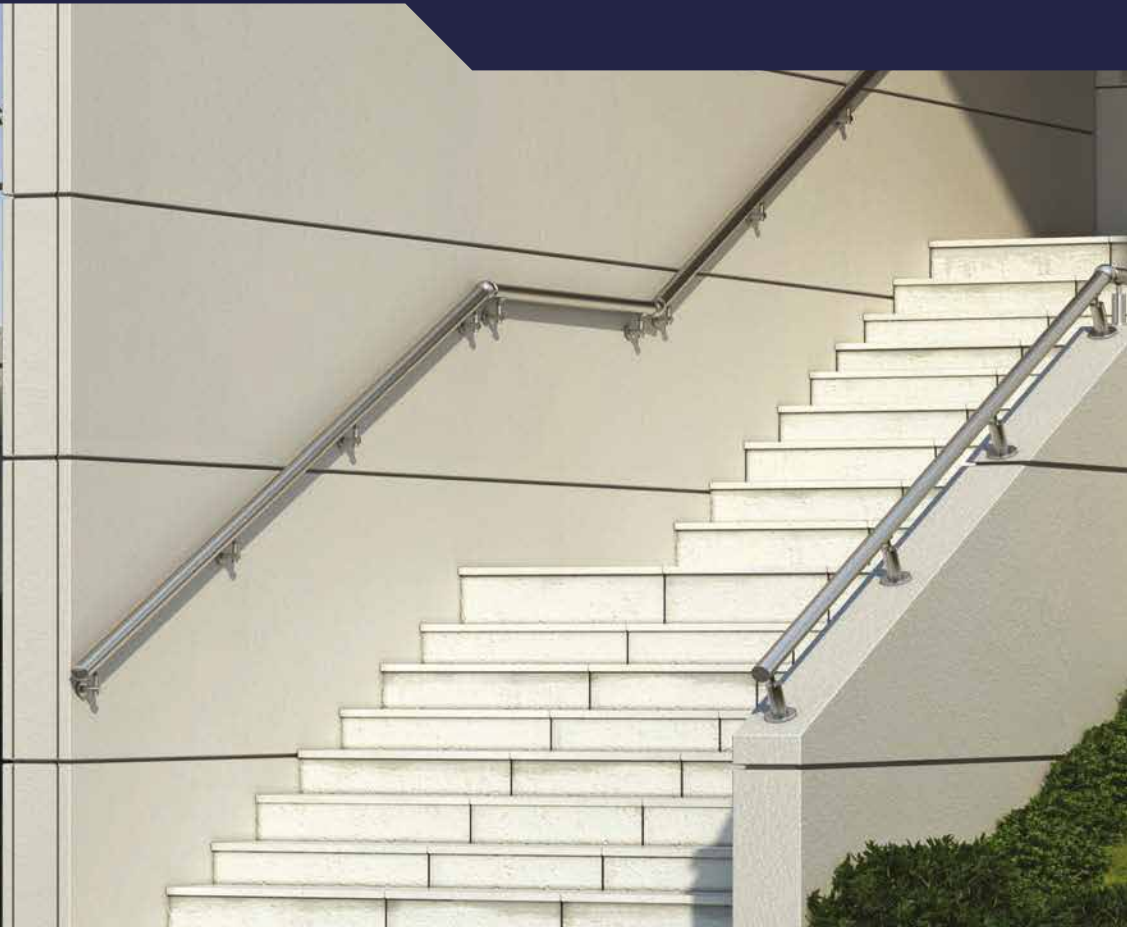




RAILING Systems

 EFT-5008YA	 EFT-5062	 PR-2108 Thickness 2.5 mm	 PR-2646 Thickness 2.5 mm	 PR-2647	 PR-1515	 EFT-5027K ETA Certified 
 EFT-5037		 PR-3442 Thickness 2 mm	 PR-5202 Thickness 2 mm	 PR-2647 PR-2646	 PR-5006	
 EFT-5037-55			 PR-6060			
 EFT-5008	 EFT-5020E	 EFT-5037	 PR-5005			





ROUND LINE RL16

Wall Handrail Model
Duvar Dibi Bağlantılı Model

The Profiles and Accessories Shown in the System / Sistemde Gösterilen Profil ve Aksesuarlar



EFT-5032



EFT-5019



EFT-5091



EFT-5101



EFT-5009



EFT-5020
X



EFT-5161
For 50Ø Handrail
50Ø Küşpeşte uyumlu



EFT-5157



EFT-5163
For 40Ø Handrail
40Ø Küşpeşte uyumlu

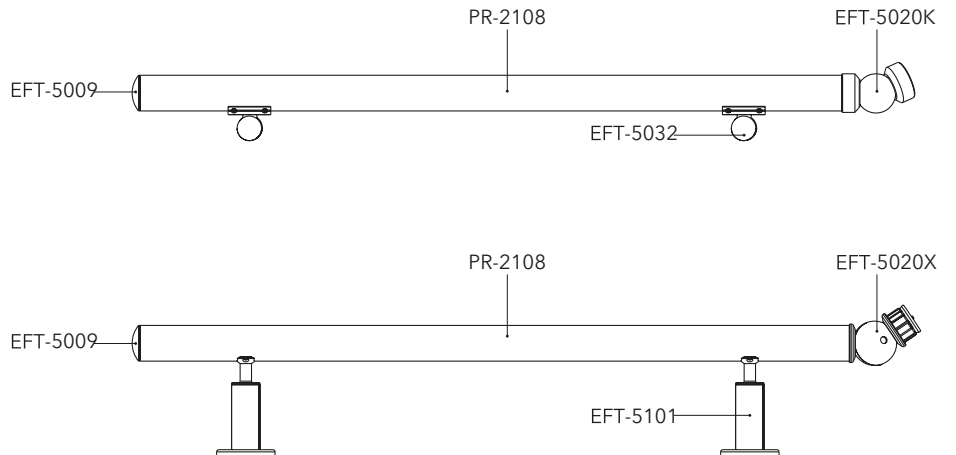


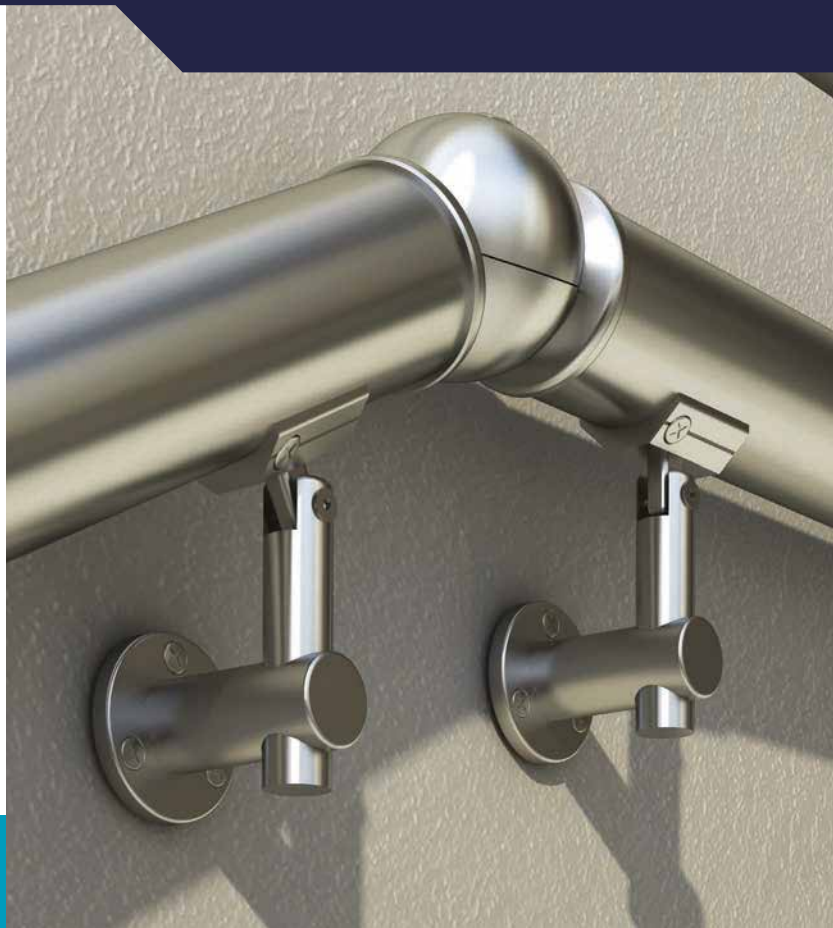
EFT-5162



EFT-5020
K

Profile and Accessory Alternatives / Sistem Alternatifleri





EFT-5020K



PR-2108



EFT-5027K

ETA
Certified

RAILING Systems





COMBi LINE CL12

Side Mount Railing
Dıştan Betona Bağlantılı



The Profiles and Accessories Shown in the System / Sistemde Gösterilen Profil ve Aksesuarlar



EFT-65001



EFT-65031U-15



EFT-5120



EFT-5022Y



EFT-5020S



EFT-5009



EFT-65039Y



EFT-65031U



EFT-5011



EFT-5022A



EFT-5020K



EFT-5009Y



EFT-5017



EFT-5020X



EFT-5009S



EFT-5020NX



EFT-5020E

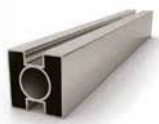
Profile and Accessory Alternatives / Sistem Alternatifleri



EFT-5008



PR-2108
Thickness 2.5 mm



PR-5682



PR-5683



PR-1515



EFT-5027K

RAILING Systems



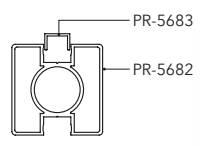
EFT-5008YA



PR-3442
Thickness 2 mm



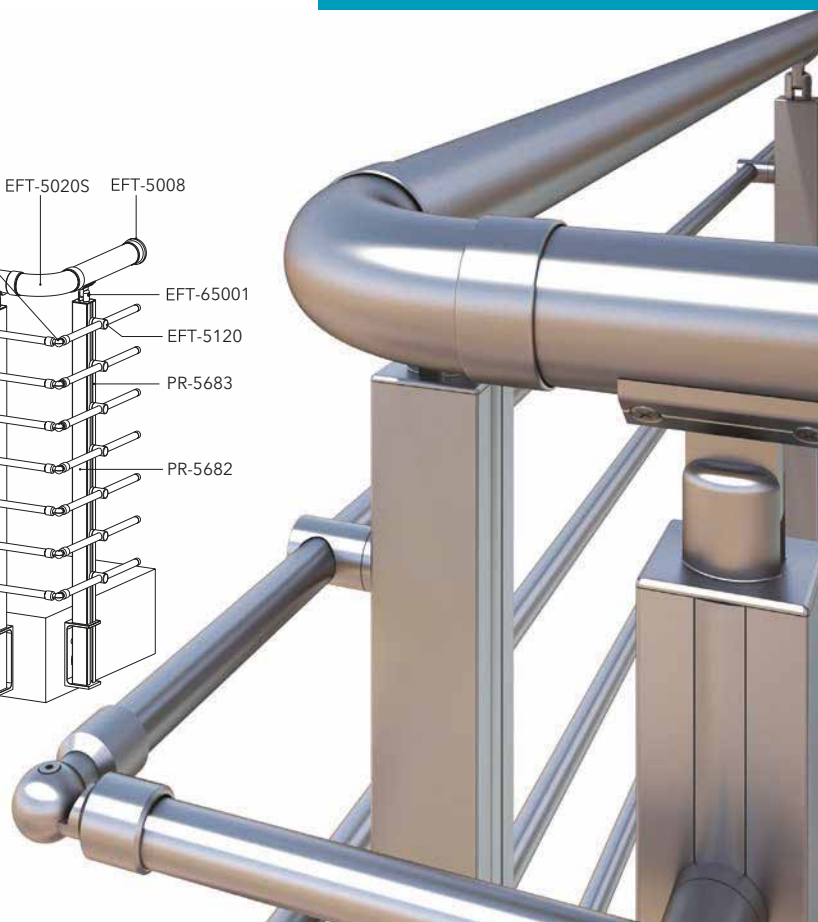
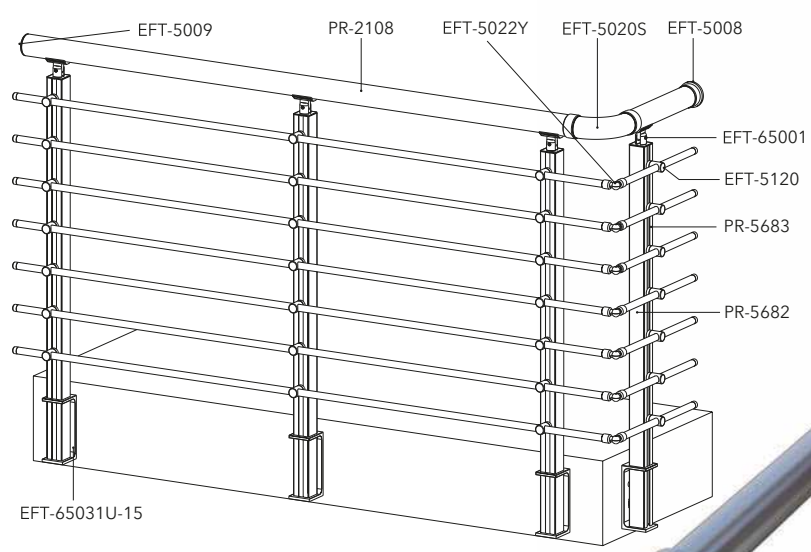
PR-8337



EFT-5037



EFT-5037-55





















ROUND LINE RL15

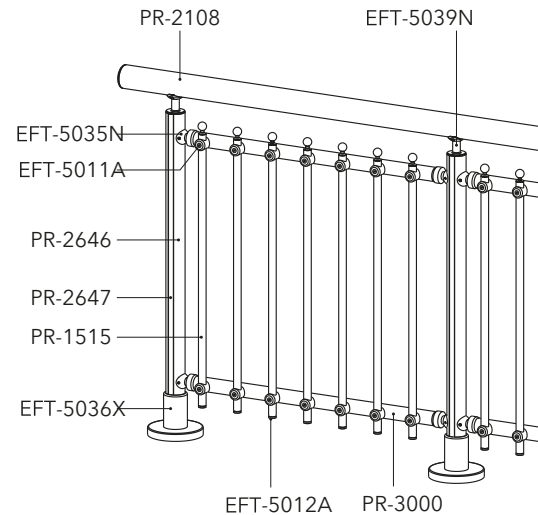
Vertical Safety Line
Railing
Dikey Emniyet Hatlı Model



The Profiles and Accessories Shown in the System / Sistemde Gösterilen Profil ve Aksesuarlar

					
EFT-5039N	EFT-5036X	EFT-5035N	EFT-5011A	EFT-5051-16	EFT-5012 A
					
EFT-5039Y	EFT-5036C	EFT-5035		EFT-5051A-16	
					
EFT-5039	EFT-5089				
					
EFT-5066	EFT-5002				
					
	EFT-5003				
					
	EFT-5186				

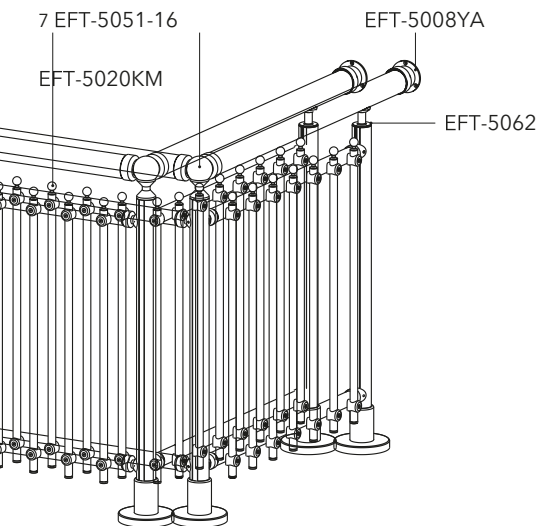
Profile and Accessory Alternatives / Sistem Alternatifleri





RAILING Systems

<p>EFT-5020KM</p>	<p>EFT-5008YA</p>	<p>EFT-5062</p>	<p>PR-2108 Thickness 2.5 mm</p>	<p>PR-2646 Thickness 2.5 mm</p>	<p>PR-2647</p>	<p>PR-3000</p>	<p>PR-1515</p>	<p>EFT-5027K</p>
<p>EFT-5092</p>	<p>EFT-5008</p>	<p>EFT-503</p>	<p>PR-3442 Thickness 2 mm</p>	<p>PR-5202 Thickness 2 mm</p>	<p>PR-2647 PR-2646</p>		<p>PR-5006</p>	





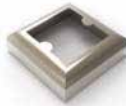
SQUARE SL13

Glass Model Railing
Camlı Model

The Profiles and Accessories Shown in the System / Sistemde Gösterilen Profil ve Aksesuarlar



EFT-5135



EFT-5107



EFT-5003



EFT-5104



EFT-5134



EFT-5085

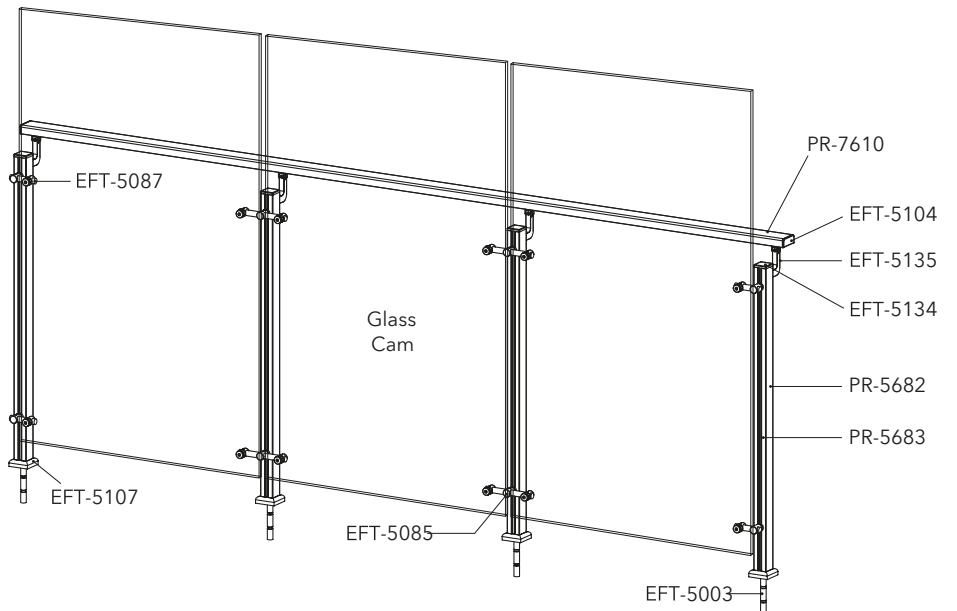


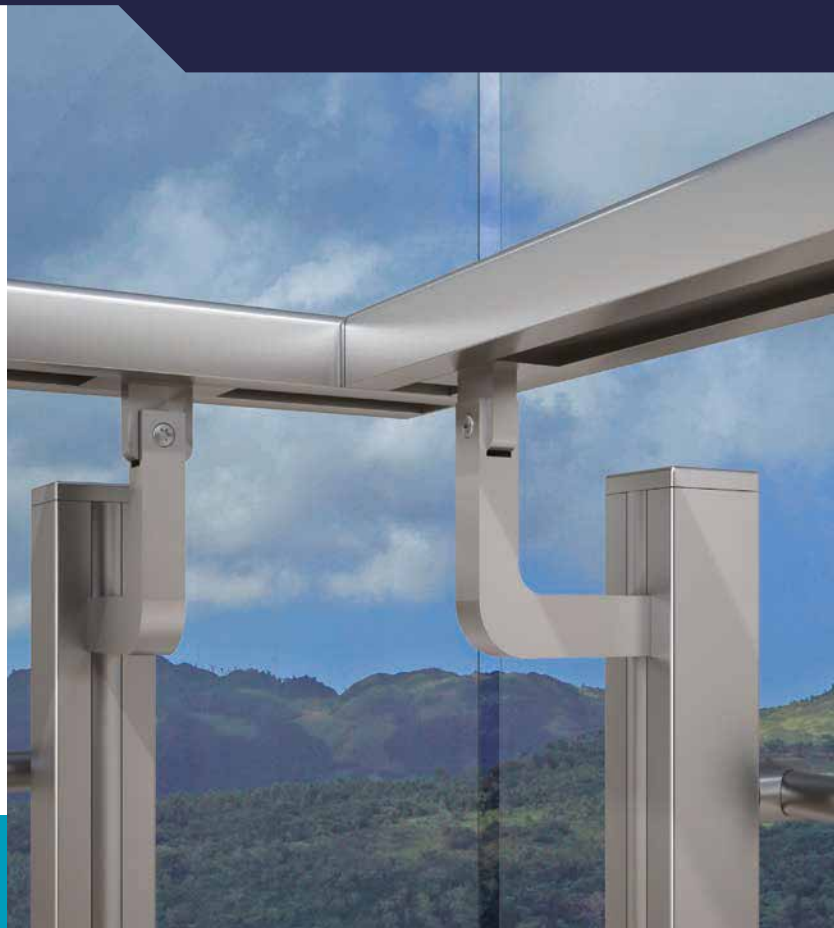
EFT-65002



EFT-5015A

Profile and Accessory Alternatives / Sistem Alternatifleri





RAILING Systems



EFT-5087

PR-7610

PR-5682

PR-5683



EFT-5027K

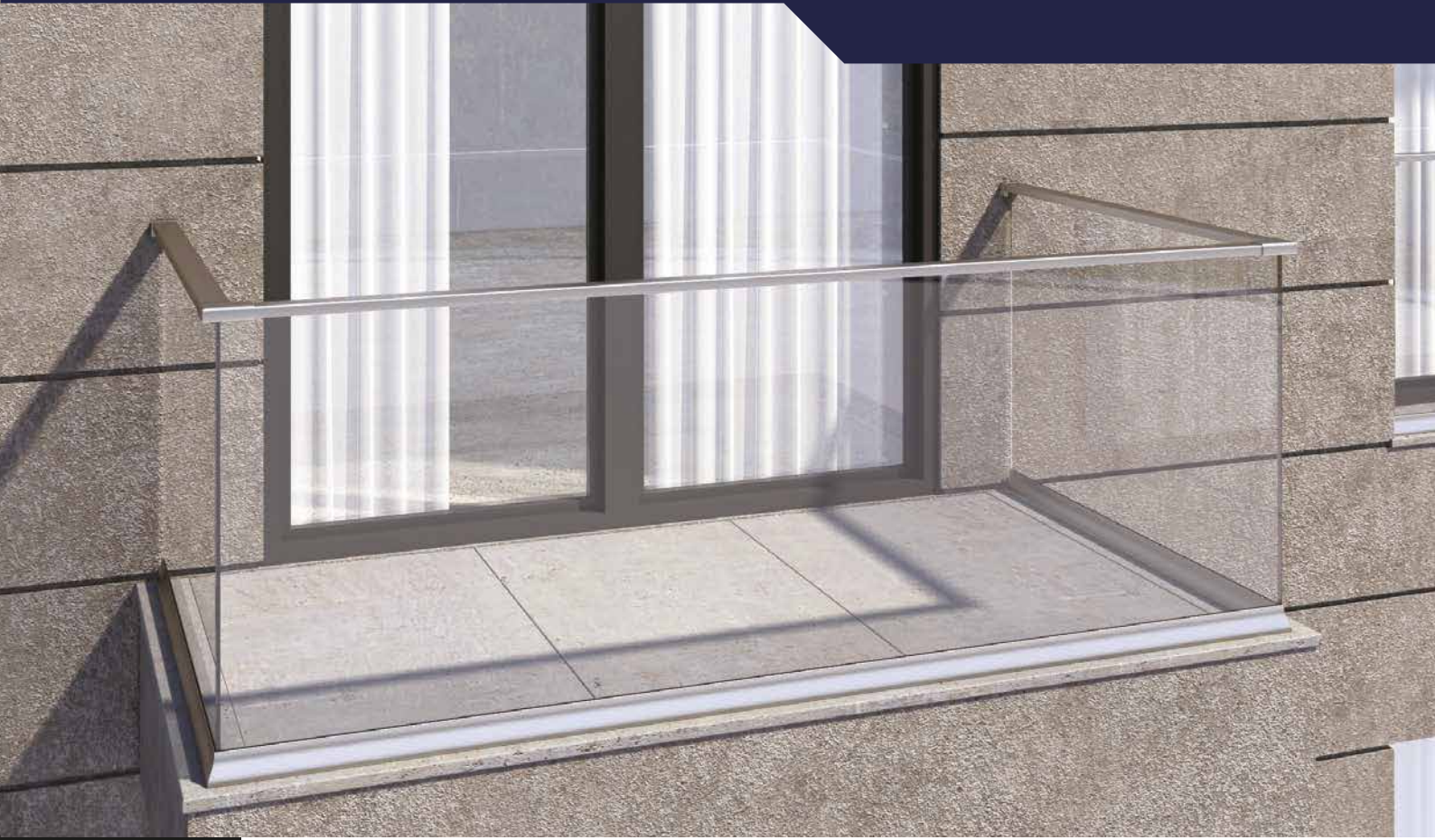


EFT-5016A

PR-8337

PR-5683
PR-5682





SQUARE SL17

Glass Model Railing
Camlı Model

The Profiles and Accessories Shown in the System / Sistemde Gösterilen Profil ve Aksesuarlar



PR-7015



PR-8288



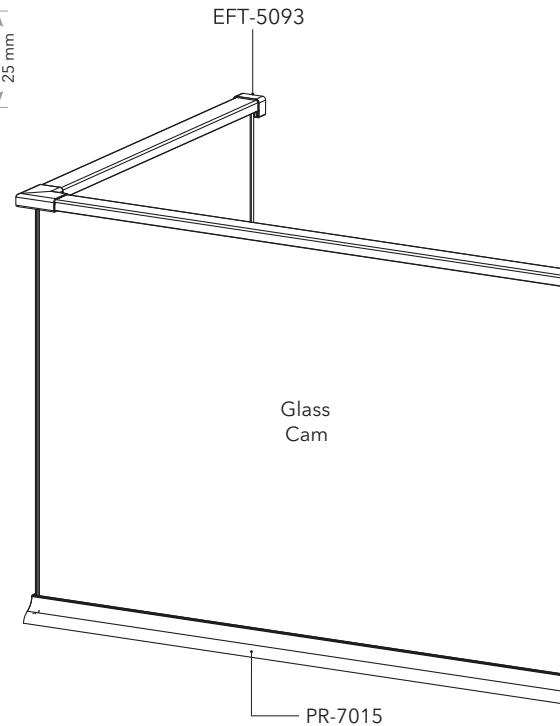
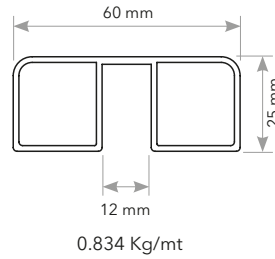
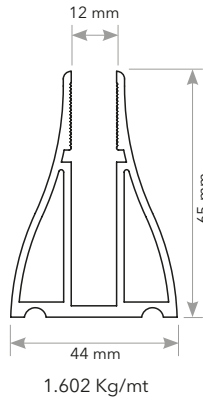
EFT-5165



EFT-5093



EFT-5027K

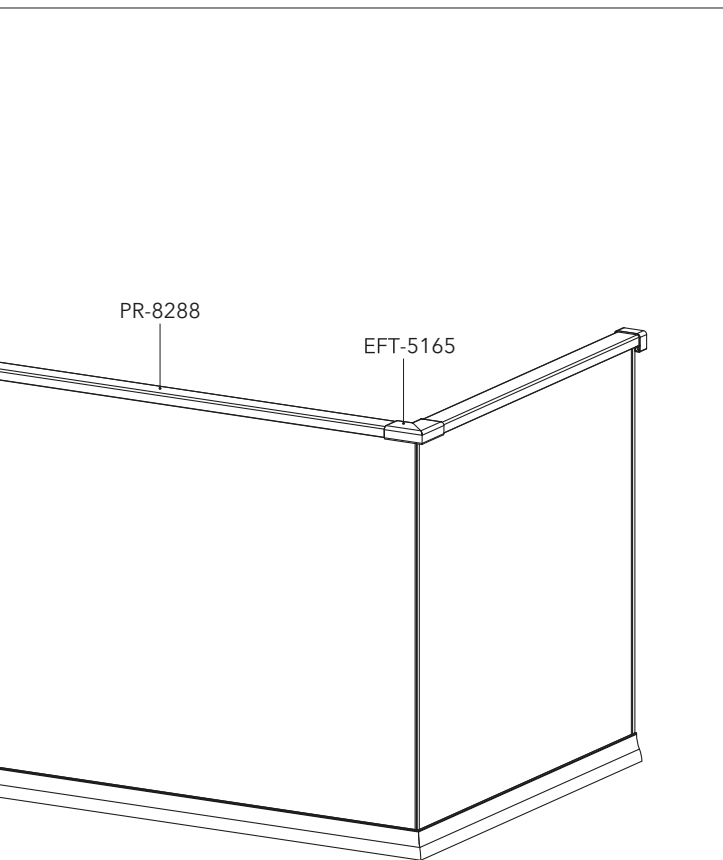


Profile and Accessory Alternatives / Sistem Alternatifleri







RAILING Systems



ADJUSTABLE & STABLE HANDRAIL BRACKETS HAREKETLİ ve SABİT MAFSALLAR



 x3 EFT-VT75100	 x3 EFT-VT75100	 x3 EFT-VT75100	 x3 EFT-VT75100		
EFT-5186 External Type Base Flange Support for 40Ø Post Dıştan Geçmeli 40Ø Dikme Flanş	EFT-5036X External Type Base Flange Support for 40Ø Post Dıştan Geçmeli 40Ø Dikme Flanş	EFT-5089 Internal Type Base Flange Support for 40Ø Post İçten Geçmeli Angrajlı Tablalı 40Ø Dikme Flanş	EFT-5036C Base Flange Support for 40Ø Post Angrajlı 40Ø Dikme Flanş	EFT-5107 40X40 Baluster Base Cover 40X40 Dikme Flanş	EFT-65002 40X40 Baluster Base Cover 40X40 Dikme Flanş
				 x3 EFT-VT75100	 x3 EFT-VT75100
EFT-5136 25X50 Baluster Base Cover 25X50 Dikme Flanş	EFT-5002 40Ø Baluster Base Cover 40Ø Dikme Flanş	EFT-5002S 40Ø Baluster Base Cover 40Ø Dikme Flanş	EFT-5002T 40Ø Flange for Single Canal Column 40Ø Tek Tırnaklı Dikme Flanş	EFT-5101 Ready Base Flange for 50Ø Handrail Parapet Üstü Hazır Flanş	EFT-5141 Base Flange Support for 40X40 Post Angrajlı 40X40 Dikme Flanş
	 x2 EFT-VS4540	 x3 EFT-VS4540	 x3 EFT-VS4540	 x3 EFT-VS4540	 x3 EFT-VS4540
EFT-5002C Decorative 40Ø Base Cover Dekoratif 40Ø Flanş	EFT-5008 Wall & Ground Flange 50Ø Yer ve Duvar Flanş 50Ø	EFT-5008YA Adjustable Wall Flange 50Ø Hareketli Açılabilir Duvar Flanş	EFT-5159 Adjustable Wall Flange 40Ø Hareketli Açılabilir Duvar Flanş	EFT-5036 40Ø Wall & Ground Flange 40Ø Yer ve Duvar Flanş	EFT-5036-35 40Ø Wall & Ground Flange Long Type Uzun Tip 40Ø Yer ve Duvar Flanş
	 x3 EFT-VS4540	 x3 EFT-VS4540			 x3 EFT-VS4540
EFT-5036A Cover for EFT-5036 EFT-5036 için Kapak	EFT-5037 50Ø Wall & Ground Flange 50Ø Yer ve Duvar Flanş	EFT-5037-55 50Ø Wall & Ground Flange Long Type Uzun Tip 50Ø Yer ve Duvar Flanş	EFT-5037A Cover for EFT-5037 EFT-5037 için Kapak	EFT-5189 60Ø Wall & Ground Flange 60Ø Yer ve Duvar Flanş	EFT-5040 16Ø Wall & Ground Flange 16Ø Yer ve Duvar Flanş
 x2 EFT-VS4540	 x2 EFT-VS4540				
EFT-5093 Wall Flange for 25X60 Handrail 25X60 Küpeşte Duvar Flanş	EFT-5094 Wall Flange for 30X80 Handrail 30X80 Küpeşte Duvar Flanş	EFT-64218 Grand Base Cover for 80x80 Post Profile 80x80 Dikme Profil için Yer Flanş	EFT-5008B 40Ø Ground Flange 40Ø Yer Flanş	EFT-5008C 30Ø Ground Flange 30Ø Yer Flanş	EFT-5002B Angled Cuttable Stair Flange Açılı Kesilebilir Merdiven Flanş
			 x3 EFT-VS4540		
EFT-5008U Angled Cuttable Wall Flange Açılı Kesilebilir Duvar Flanş	EFT-5002-75 75Ø System Decorative Base Cover 75Ø Sistem Dekoratif Flanş	EFT-3052 30Ø System Flange 30Ø Sistem Flanş	EFT-3063 30Ø Wall & Ground Flange 30Ø Yer ve Duvar Flanş	EFT-3063A Cover for EFT-5063 EFT-5063 için Kapak	EFT-5002L Base Flange for Acrylic Plexiglass Pleksli Dikme için Yer Flanş



EFT-5020X

Clamping Corner for 50Ø Handrail
50Ø Kúpeşte Sıkıřtırma Dırsek



EFT-5020NX

Welded Flush Angle for 50Ø Handrail
50Ø Kúpeşte Keskin Hat Dırsek



EFT-5162

Adjustable 50Ø Ball Corner
Açısı Ayarlanabilir 50Ø Kúre Dırsek



EFT-5020K

Adjustable 50Ø Ball Corner
Açısı Ayarlanabilir 50Ø Kúre Dırsek



EFT-5020S

90° Angle Flush Angle with Coupler
90° Boř Bilezikli Dırsek



EFT-5020SA

135° Angle Flush Angle with Coupler
135° Boř Bilezikli Dırsek

x4
EFT-VP4219

EFT-5020E

90° Angle Empty Corner
with Adapter
90° Derece Boř Dırsek

x4
EFT-VP4219

EFT-5020AE

135° Angle Empty Corner
with Adapter
135° Derece Boř Dırsek



EFT-5020K-40

Adjustable 40Ø Ball Corner
Açısı Ayarlanabilir 40Ø Kúre Dırsek



EFT-5020NX-40

Welded Flush Angle for 40Ø Handrail
40'lık Kúpeşte Keskin Hat Dırsek



EFT-5164

Adjustable 40Ø Ball Corner
Açısı Ayarlanabilir 40Ø Kúre Dırsek



EFT-5020K-30

Adjustable 30Ø Ball Corner
Açısı Ayarlanabilir 30Ø Kúre Dırsek



EFT-5138

Welded Flush Angle
for 30X80 Handrail
30X80 Kúpeşte için Kaynaklı Dırsek



EFT-5165

Welded Flush Angle
for 25X60 Handrail
25X60 Kúpeşte için Kaynaklı Dırsek



EFT-5109

90° Solid Corner Connector for
25X60 Handrail
25X60 Kúpeşte için 90° Sabit Dırsek



EFT-5110

135° Solid Corner Connector for
26X60 Handrail
26X60 Kúpeşte için 135° Sabit Dırsek

x3
EFT-VP4219

EFT-5139

Adjustable Post Connection Corner
for 25X60 Handrail
25X60 Kúpeşte için Dikme
Baęlantılı Dırsek

x1
EFT-VP4219

EFT-5092

Welded Flush Angle with
Connector to Post
50Ø Kúpeşte Keskin Hat Dırsek
Dikme Baęlantılı



EFT-5020KM

Adjustable Connector of
2 Handrail and Post
Açısı Ayarlanabilir Kúře Dikme Dırsek



EFT-5022A

90° - 16Ø Safety Bar Corner
90° - 16Ø Boru Dırsek



EFT-5022B

135° - 16Ø Safety Bar Corner
135° - 16Ø Boru Dırsek



EFT-5022Y

Adjustable Flush Angle
for 16Ø Safety Bar
Açısı Ayarlanabilir 16Ø Boru Dırsek

x2
EFT-VP4219

EFT-5129

Adjustable Corner
for 25X60 Handrail
25X60 Kúpeşte için
Ayarlanabilir Dırsek



EFT-5099

Adjustable Up&Down Corner
for 25X60 Handrail
25X60 Kúpeşte için Ayarlanabilir
Yukarı Ařaęı Dırsek



EFT-5100

Full Adjustable Corner
for 25X60 Handrail
25X60 Kúpeşte için Tam
Hareketli Dırsek



EFT-5108

Full Adjustable Post Connection
Corner for 25X60 Handrail
25X60 Kúpeşte için Dikme
Baęlantılı Tam Hareketli Dırsek



EFT-5130

Adjustable Corner Connector
for 17X17 Safety Bar
17X17 Emniyet Hattı Hareketli
Dırsek



EFT-5020Y

Adjustable Corner Açısı
Ayarlanabilir Dırsek



EFT-5020

90° Angle Solid Corner
90° Derece Dolu Dırsek



EFT-5020A

135° Angle Solid Corner
135° Derece Dolu Dırsek



EFT-5020B

90° - 40Ø Solid Corner
90° - 40Ø Dırsek



EFT-5009

50Ø Handrail Finish Endcap
50Ø Boru Bitiş Tapası



EFT-5009EL

2 mm Thickness 50Ø Handrail
Finish Endcap
50Ø 2 mm Et Kalınlığı Boruya göre
Bitiş Tapası



EFT-5009Y

External Endcap for 50Ø Handrail
50Ø Boru Harici Bitiş Tapası



EFT-5009S

Internal Endcap for 50Ø Handrail
50Ø Boru Bitiş Tapası



EFT-5190

External Endcap for 60Ø Handrail
60Ø Boru Harici Bitiş Tapası



EFT-5012

Endcap for 16Ø Solid Safety Bar
16Ø Dolu Boru Bitiş Tapası



EFT-5012A

Endcap for 16Ø Safety Bar
16Ø Boru Bitiş Tapası



EFT-5012Y

External Endcap for 16Ø Safety Bar
16Ø Boru Harici Bitiş Tapası



EFT-5104

Endcap for 25x60 Handrail
25X60 Kúpeşte Tapası



EFT-5142

Endcap for 30x80 Handrail
30X80 Kúpeşte Tapası



EFT-5144

Right&Left Endcap for PR-7589
Transom Profile
PR-7589 Taşıyıcı Profil Sağ ve Sol
Kapaklar Takım



EFT-5145

Right&Left Endcap for PR-7592
Transom Profile
PR-7592 Taşıyıcı Profil Sağ ve Sol
Kapaklar Takım



EFT-5132

Endcap for 17x17 Safety Bar
17X17 Emniyet Hattı Bitiş Tapası



EFT-5013

Endcap for 40Ø Tube
40Ø Boru Bitiş Tapası



EFT-5013A

Plain Endcap for 40Ø Tube
40Ø Boru Düz Bitiş Tapası



EFT-5013S

Endcap for 40Ø Tube
40Ø Boru Bitiş Tapası



EFT-5058

Plastic Cap for Vertical
16Ø Safety Bar
Dikey Model için 16Ø Boru
Plastik Tapası



EFT-5058A

Cap For Vertical 16Ø Safety Bar
Dikey Model için 16Ø Boru Tapası



EFT-3062

Endcap for 30Ø Tube
30Ø Boru Bitiş Tapası



EFT-3062Y

External Endcap for 30Ø Tube
30Ø Boru Harici Bitiş Tapası



EFT-5062

Over Post Cap For 40Ø Post
40Ø Dikme Üzeri Kapak



EFT-5117

Endcap For 30Ø Transom Profile
30'luk Çift Kanallı Taşıyıcı
Profil Tapası



EFT-5134

Cap For 40x40 Post
40X40 Dikme Tapası



EFT-5154

Endcap For 26Ø Tube
26Ø Boru Bitiş Tapası



PROFILE COUPLERS & CROSSBAR HOLDERS PROFİL TUTUCU YÜZÜK ve BİLEZİKLER



EFT-5007

External Coupler for 50Ø Tube
50Ø Boru Bilezik



EFT-5007NX

Internal Coupler for 50Ø Tube
50Ø Boru Ara Bağlantı



EFT-5007A

Long External Coupler for 50Ø Tube
50Ø Boru Geniş Bilezik



EFT-5007X

Clamping Coupler for 50Ø Handrail
50Ø Kúpešte için Sıkıştırmalı Dirsek



EFT-5007-40

Coupler for 40Ø Tube
40Ø Boru Bilezik



EFT-5007NX-40

Internal Coupler for 40Ø Tube
40Ø Boru Ara bağlantı



EFT-5007-30

Coupler for 30Ø Tube
30Ø Boru Bilezik



EFT-5111

External Coupler for 25X60 Handrail
25X60 Kúpešte Bileziđi



EFT-5158

External Coupler for 30X80 Handrail
30X80 Kúpešte Bileziđi



EFT-64127A

Coupler for 17X17 Safety Bar
17X17 Emniyet Hattı Birleřtirici



x1
EFT-VP4238

EFT-5011

Crossbar Holder for 16Ø Safety Bar
16Ø Boru Tutucu Yüzük



x1
EFT-VP4238

EFT-5011A

Crossbar Holder for 16Ø Safety Bar
16Ø Boru Tutucu Yüzük



x1
EFT-VP4238

EFT-5011E

Crossbar Holder for 16Ø Safety Bar
16Ø Boru Tutucu Yüzük



x1
EFT-VP4238

EFT-5011Y

Adjustable Crossbar Holder
for 16Ø Safety Bar
Ayarlı 16Ø Boru Tutucu Yüzük



x1
EFT-VP4238

EFT-5069

Adjustable Crossbar Holder for 40Ø
to 17X17 Safety Bar
40Ø Dikmeden 17X17 Emniyet Hattı
Tutucu Hareketli Yüzük



EFT-5080

Adjustable Crossbar Holder
Bar to Bar
Çiftli 16Ø Emniyet Hattı Tutucu Yüzük



EFT-5081

Glass Adapter For Tube 16Ø
Cam Tutuculu 16Ø Boru Yüzüğü



x1
EFT-VP4238

EFT-5118

17X17 Crossbar Holder
Fits on 40Ø Post
17X17 Emniyet Hattı Tutucu Arkası
40Ø Dikmeye Göre



x1
EFT-VP4238

EFT-5119

17X17 Crossbar Holder
Fits On Square Post
17X17 Emniyet Hattı Tutucu Arkası
40x40 Dikmeye Göre



x1
EFT-VP4219

EFT-5120

Adjustable Crossbar Holder
for Square Post
Kare Dikmeye Göre 16Ø Boru Tutucu
Hareketli Yüzük



x1
EFT-VP4238

EFT-5070

Adjustable Crossbar Holder
for 17X17 Safety Bar
Ayarlı 17X17 Emniyet Hattı
Tutucu Yüzük



x1
EFT-VP4238

EFT-5155

Adjustable Crossbar Holder for
26Ø Safety Bar (Square Post)
Ayarlı 26Ø Emniyet Hattı
Tutucu Yüzük (Kare Dikme)



x1
EFT-VP4238

EFT-5156

Adjustable Crossbar Holder for
26Ø Safety Bar (Round Post)
Ayarlı 26Ø Emniyet Hattı
Tutucu Yüzük (Yuvarlak Dikme)



x1
EFT-VP4238

EFT-5131

Crossbar Holder
for 17X17 Safety Bar
17X17 Emniyet Hattı Tutucu Yüzük



x1
EFT-VP4238

EFT-5082

Glass Adapter For 17X17
Safety Bar
Cam Tutuculu 17X17 Emniyet
Hattı Yüzüğü



EFT-5022

Connection Coupler
for 16Ø Safety Bar
16Ø Boru Bağlantı



EFT-5059

50Ø Ceiling & Wall Connection
50Ø Tavan ve Duvar Bilezik



EFT-5059-40

40Ø Ceiling & Wall Connection
40Ø Tavan ve Duvar Bilezik



EFT-5059-30

30Ø Ceiling & Wall Connection
30Ø Tavan ve Duvar Bilezik



EFT-5059-16

16Ø Ceiling & Wall Connection
16Ø Tavan ve Duvar Bilezik



EFT-163

Decorative Holder For 16Ø Tube
16Ø Boru Dekoratif Tutucu



EFT-164

Decorative Holder For 16Ø Tube
16Ø Boru Dekoratif Tutucu



x2
EFT-VP4838

EFT-5025X
Adjustable Glass Clamp For 40Ø Post
40Ø Dikme için Ayarlı Cam Tutucu



x2
EFT-VP4838

EFT-5105
Adjustable Glass Clamp
for Square Post
Kare Dikme için Ayarlı Cam Tutucu



x2
EFT-VP4838

EFT-5106
Big Glass Clamp
for 40x40 Square Post
40Ø Dikme için Büyük Cam Tutucu



x2
EFT-VP4838

EFT-5127
Big Glass Clamp For 40Ø Post
40Ø Dikme için Büyük Cam Tutucu



x2
EFT-VP4838

EFT-5014N Round
Type Glass Clamp
Yuvarlak Tip Cam Tutucu



x1
EFT-VP4825

EFT-5014
Internal Glass Holder
İçten Cam Tutucu



x1
EFT-VP4825

EFT-5015
Twin External Glass Holder
Çiftli Dıştan Cam Tutucu




x1
EFT-VP4825

EFT-5016
Finish Glass Holder
Bitiş Cam Tutucu



x1
EFT-VP4825

EFT-5025
Glass Holder
Cam Tutucu



x1
EFT-VP4825

EFT-5025E
Glass Holder
Cam Tutucu



x1
EFT-VP4825

EFT-5026
Glass Holder with Canal
Kanallı Cam Tutucu



x1
EFT-VP4825

EFT-5025A
Glass Clamp
Kapaklı Vidalı Cam Tutucu



x1
EFT-VP4825

EFT-5026A
Glass Clamp with Canal
Kanallı Kapaklı ve Vidalı Cam Tutucu



EFT-5103
Glass Holder For 40X40 Square Post
40X40 Dikme için Cam Tutucu



x2
EFT-VP4838

EFT-5121
Horizontal Type Glass Holder
Yatay Tip Cam Tutucu



EFT-5015A
Spider Twin Glass Holder
Spider Çiftli Cam Tutucu



EFT-5016A
Spider Single Glass Holder
Spider Tekli Cam Tutucu



x1
EFT-VP4838

EFT-5085
Spider Type Glass Holder
for Square Post
Kare Dikmeden Çift Tutuculu Spider



x1
EFT-VP4838

EFT-5087
Spider Type Single Glass Holder
for Square Post
Kare Dikmeden Tek Tutuculu Spider



x1
EFT-VP4838

EFT-5084
Spider Type Glass Holder
for 40Ø Post
40Ø Dikmeden Çift Tutuculu Spider



x1
EFT-VP4838

EFT-5086
Spider Type Single Glass Holder
for 40Ø Post
40Ø Dikmeden Tek Tutuculu Spider



x1
EFT-VP4238

EFT-5010
Glass Stopper
For use with 5014, 5015, 5016
Cam Binici



x1
EFT-VP4238

EFT-5010AE
Glass Stopper
For use with 5025-A, 5026-A
Cam Binici



PROFILE-BAR-TUBE CONNECTORS/ PROFİL BAĞLANTILARI



x3
EFT-VP4219

EFT-5035N

Connection From 40Ø
Post to 30Ø Tube
40Ø Dikmeden 30Ø Boruya Bağlantı



x2
EFT-VP4238

EFT-5035

Connection From 40Ø
Post to 30Ø Tube
40Ø Dikmeden 30Ø Boruya Bağlantı



EFT-5035-30

Connection From 30Ø
Post to 30Ø Tube
30Ø Dikmeden 30Ø Boruya Bağlantı



EFT-5035-40

Connection From 40Ø
Post to 40Ø Tube
40Ø Dikmeden 40Ø Boruya Bağlantı



x1
EFT-VP4838

EFT-5096

Adjustable Connector from
40Ø Post to 26Ø Tube
Ayarlı Tip 40Ø Dikmeden
26Ø Boruya Bağlantı



x1
EFT-VP4838

EFT-5097

Adjustable Connector from
40x40 Post to 26Ø Tube
Ayarlı Tip 40x40 Dikmeden
26Ø Boruya Bağlantı



x1
EFT-VP4838

EFT-5123

Adjustable Connector from
40Ø Post to 30Ø Tube
Ayarlı Tip 40Ø Dikmeden
30Ø Boruya Bağlantı



x1
EFT-VP4838

EFT-5124

Adjustable Connector from
40x40 Post to 30Ø Tube
Ayarlı Tip 40x40 Dikmeden
30Ø Boruya Bağlantı



x1
EFT-VP4838

EFT-5160

Adjustable Connector from
40Ø Round Post to 40Ø Tube
Ayarlı Tip 40Ø Dikmeden
40Ø Boruya Bağlantı



x1
EFT-VP4238

EFT-5115

Connection for 30X30 Transom
Profile to Square Post
30X30 Yataklama Profili
Dikme Bağlantısı



x2
EFT-VP4838

EFT-5133

Connection for 22x25 Transom
Profile to Square Post
22x25 Yataklama Profili
Dikme Bağlantısı



x1
EFT-VP4238

EFT-5068

Connection From 40Ø
Post to 16Ø Safety Bar
40Ø Dikmeden 16Ø Boruya Bağlantı



x3
EFT-VP4219

EFT-5088

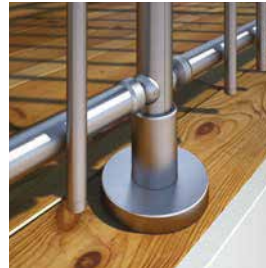
Adjustable Connection for 30X30
Transom Profile to Square Post
30X30 Yataklama Profili
Ayarlı Dikme Bağlantısı



x1
EFT-VP4219

EFT-5095

Connector From 40x40
Square Post to 26Ø Bar
Kare Dikmeden Dikmeden
26Ø Boruya Bağlantı



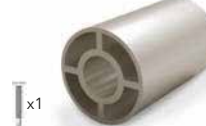
INTERNAL CONNECTORS TAKOZ BAĞLANTILAR



x2
EFT-VP4238

EFT-5021

Internal Connector for
Tube & Corner
Dolu Dirsek Bağlantı Takozu



x1
EFT-VP4825

EFT-5021A

Internal Connector of 50Ø Tube
50Ø Dikme Takozu



x1
EFT-VP4825

EFT-5021A-75

Internal Connector of 75Ø Tube
75Ø Dikme Takozu



x2
EFT-VP4838

EFT-5102

Internal Connector
for 60X25 Handrail
60X25 Küpeşte Takozu



EFT-64230

Internal Connector for 80X80 Post
80X80 Dikme Takozu

SIDE MOUNT BALUSTER BRACKETS & WALL CONNECTION HANDRAIL BRACKETS /YANDAN BETON ve DUVARA BAĞLANTILAR



EFT-5031U

Side Fix 40Ø Baluster Bracket
40Ø Dikme Dıştan Betona
Bağlantı Kelepçesi



EFT-5187

Heavy Duty Side Fix 40Ø
Baluster Bracket
40Ø Dikme Dıştan Betona
Bağlantı Kelepçesi



EFT-65031U

Side Fix 40x40 Baluster Bracket
Kare Dikme Dıştan Betona
Bağlantı Kelepçesi



EFT-65031U-15

Side Fix 40x40
Baluster Bracket 15 cm
Kare Dikme Dıştan Betona
Bağlantı Uzun Kelepçesi 15 cm



EFT-5031U-15

Side Fix 40Ø
Baluster Bracket 15 cm
40Ø Dikme Dıştan Betona
Bağlantı Kelepçesi 15 cm



EFT-5140

Side Fix 25x50 Baluster Bracket
25x50 Dikme Dıştan Betona
Bağlantı Kelepçesi



EFT-5113

Side Fix 40x50
Baluster Bracket
40x50 Kare Dikme Dıştan Betona
Bağlantı Kelepçesi



EFT-VP4219

EFT-5032

Wall Connection Bracket
for 50Ø Tube
Duvar Dibi Bağlantı



EFT-VS4540

EFT-5019

L Type Wall Connection Bracket
for 50Ø Tube
L Tip Duvar Dibi Bağlantı



EFT-VS4540

EFT-5157

L Type Wall Connection Bracket
for 50Ø Tube
L Tip Duvar Dibi Bağlantı



EFT-VS4540

EFT-5091

Adjustable Bracket
for 50Ø Wall Mount
50Ø Küpeşte Duvar Bağlantı
Ayarlı Tip



EFT-VS4540

EFT-5161

Wall Bracket for 50Ø Handrail
50Ø Küpeşte Duvar Bağlantı



EFT-VS4540

EFT-5163

Wall Bracket for 40Ø Handrail
40Ø Küpeşte Duvar Bağlantı



EFT-5030

Single Sided Side Mount Cover
Tek Ağızlı Yandan Bağlantı



EFT-5031

Double Sided Side Mount Cover
Çift Ağızlı Yandan Bağlantı



EFT-5018

Washer
Pul

DECORATIVE CAPS /DEKORATİF TOPUZLAR



EFT-5051

Decorative Cap 50Ø
50Ø Topuz



EFT-5051-40

Decorative Cap 40Ø
40Ø Topuz



EFT-75

Decorative Cap 75Ø
75Ø Topuz



EFT-5051-16

Decorative Cap 16Ø
16Ø Topuz



EFT-5051A-16

Decorative Cap 16Ø
16Ø Topuz



EFT-5112

Decorative Cap for 40X40 Post
40X40 Dikme Topuzu



EFT-64300

Decorative Cap for 80X80 Post
80X80 Dikme Topuzu



DECORATIVE POST ACCESSORIES/DEKORATİF DİKME AKSESUARLAR



EFT-16A

Decorative Vertical 16Ø Bar
Dekoratif Dikey 16Ø



EFT-40A

Decorative Column Accessory
Dekoratif Dikme Aksesuarı



EFT-5002A

Decorative Column Accessory
Dekoratif Dikme Aksesuarı



EFT-5002D

Decorative Column Accessory
Dekoratif Dikme Aksesuarı



EFT-5002F

Decorative Column Accessory
Dekoratif Dikme Aksesuarı



EFT-5002G

Decorative Column Accessory
Dekoratif Dikme Aksesuarı



EFT-5002H

Decorative Column Accessory
Dekoratif Dikme Aksesuarı

ANCHORAGE IRONS FOR TOP MOUNTING/ANGRAJ DEMİRLERİ



EFT-5003

25 cm Anchorage Iron
25 cm Angraj



EFT-5003E

21 cm Anchorage Iron
21 cm Angraj



EFT-5003A

Anchorage Iron with Screw
Vidalı Angraj



EFT-5029

Anchorage Iron for Side Mountings
Yandan Bağlantı Angraj



EFT-5003D

Threaded Anchorage Iron
for Lux System
Lüks Sistem Dişli Angraj



EFT-5003-40 40
cm Anchorage Iron 40
cm Angraj



EFT-3054

Anchorage Iron for 30Ø System
30Ø Sistem Angraj



ETA Certified
ETA Sertifikalı

EFT-5027K

EFT Chemical Anchor
EFT Kimyasal Dübel

HINGES & LOCKS/ SÜRGÜ KİLİT ve MENTEŞELER



EFT-VP4219

EFT-5060

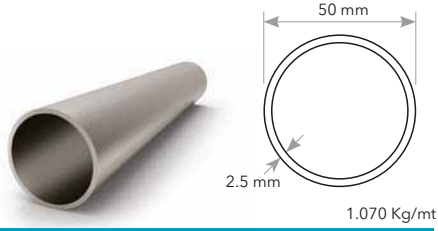
Railing & Door Combination Lock
Küpeşte Kapı Kombinasyon Sürgüsü



EFT-VP4219

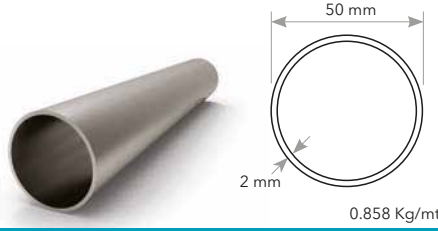
EFT-5061

Railing & Door Combination Hinge
Küpeşte Kapı Kombinasyon Menteşesi



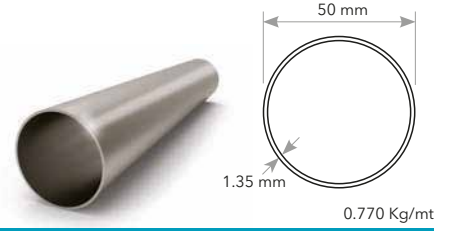
PR-2108

50Ø Handrail 2.5 mm
50Ø Küpeşte 2.5 mm



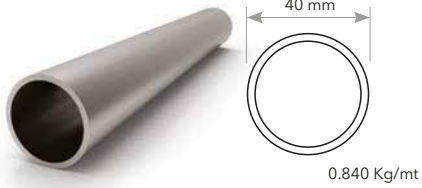
PR-3442

50Ø Handrail 2 mm
50Ø Küpeşte 2 mm



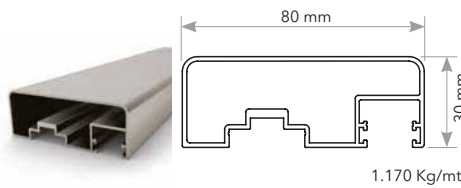
PR-5265

50Ø Handrail 1.35 mm
50Ø Küpeşte 1.35 mm



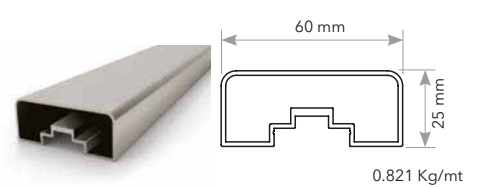
PR-4000

40Ø Profil
40Ø Profile



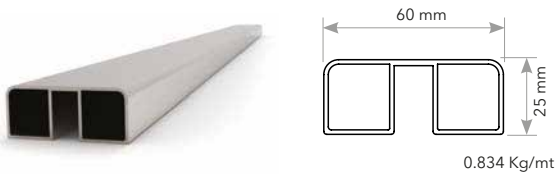
PR-7590

80x30 Handrail with Glass Insert
80x30 Küpeşte Cam Kanallı



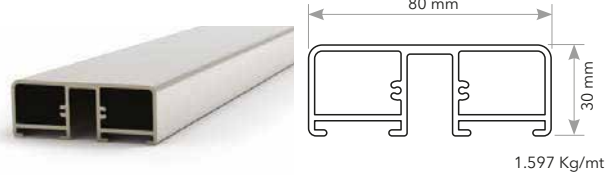
PR-7610

60x25 Handrail
60x25 Küpeşte



PR-8288

60x25 Handrail with Glass Insert
60x25 Küpeşte Cam Kanallı



PR-7116

80x30 Handrail with Glass Insert
80x30 Küpeşte Cam Kanallı

ROUND & SQUARE TRANSOM PROFILEŞYATAY TAŞIYICI PROFİLLER



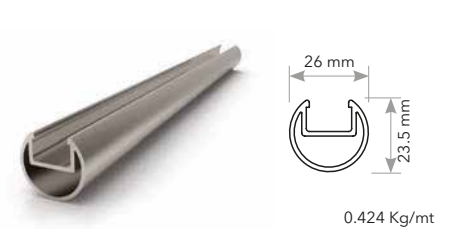
PR-3000

30Ø Tube
30Ø Profil



PR-3000D

30Ø Drilled Hole-Ready Profile
30Ø Delikli Profil



PR-7619

26Ø Transom Profile for Glass
26Ø Cam Taşıyıcı Profil



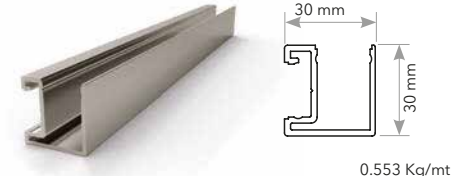
PR-3879

26Ø Tube
26Ø Profil



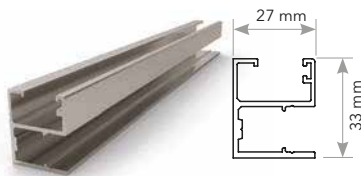
PR-7369

30Ø Double Canal Profile
30Ø Çift Kanallı Profil



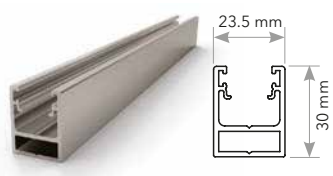
PR-6862

30X30 Transom Profile
30X30 Taşıyıcı Profil



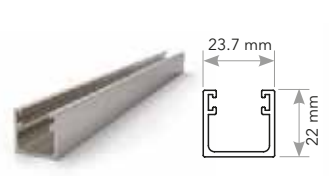
PR-7589

27x32 Transom Profile
27x32 Taşıyıcı Profil



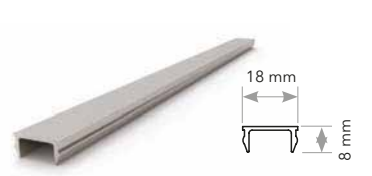
PR-7592

23X30 Base Mount Transom Profile
23X30 Zemin Üstü Taşıyıcı Profil



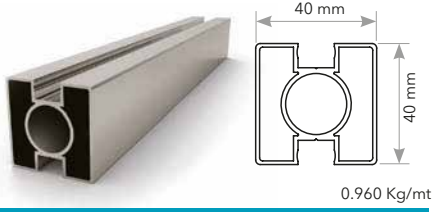
PR-7609

22X24 Glass Support Profile Between Posts
22X24 Dikme Arası Cam Taşıyıcı Profil

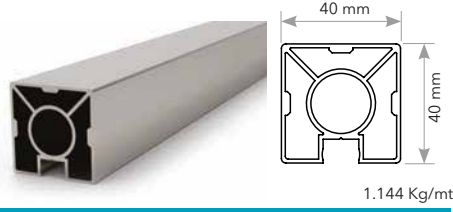


PR-4228

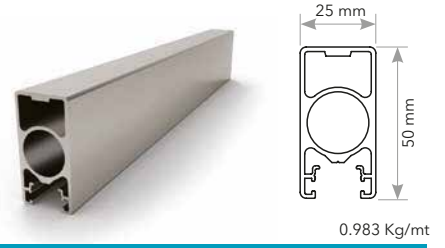
Cover for PR-6862
PR-6862 için Kapak



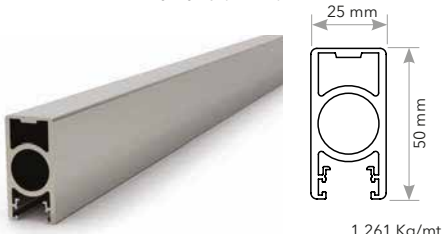
0.960 Kg/mt

PR-568240x40 Square Post
40x40 Kare Dikme

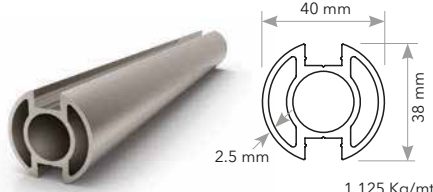
1.144 Kg/mt

PR-833740x40 Single Channel Square Post
25X50 Tek Kanallı Kare Dikme

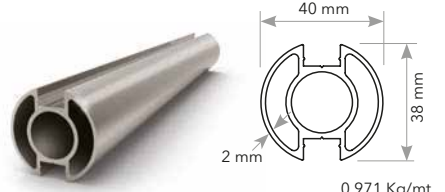
0.983 Kg/mt

PR-758725X50 Rectangle Post
25X50 Dikme

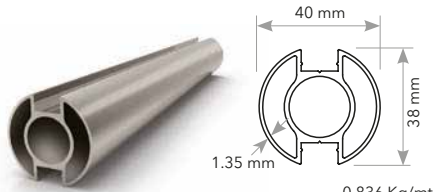
1.261 Kg/mt

PR-8385Heavy Duty 25x50 Rectangular Post
25X50 Dikme

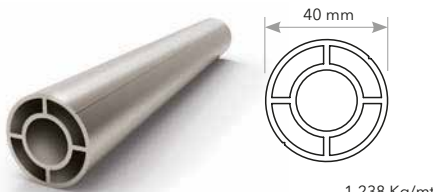
1.125 Kg/mt

PR-2646400 Dikme Profil
400 Post Profile

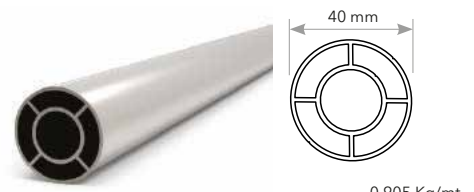
0.971 Kg/mt

PR-4566400 Dikme Profil
400 Post Profile

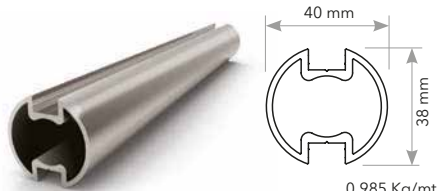
0.836 Kg/mt

PR-5202400 Dikme Profil
400 Post Profile

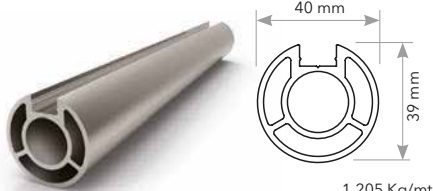
1.238 Kg/mt

PR-5955400 Kanalsız Dikme Profil
400 Non-Canal Post Profile

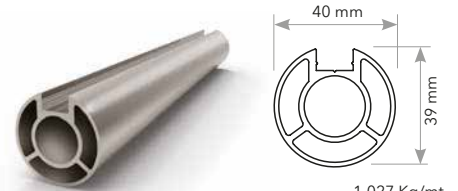
0.905 Kg/mt

PR-8301400 Kanalsız Dikme Profil
400 Non-Canal Post Profile

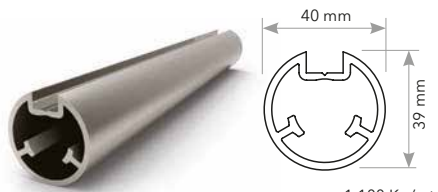
0.985 Kg/mt

PR-5005400 Dikme Profil
400 Post Profile

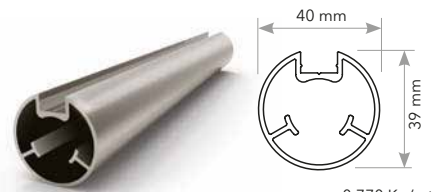
1.205 Kg/mt

PR-3874400 Dikme Profil
400 Post Profile

1.027 Kg/mt

PR-6060400 Dikme Profil
400 Post Profile

1.100 Kg/mt

PR-5005T400 Dikme Profil
400 Post Profile

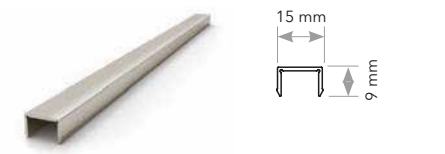
0.770 Kg/mt

PR-5373400 Dikme Profil
400 Post Profile

0.090 Kg/mt

PR-2647Cover for All Post Profiles
Tüm Dikmeler için Kapak

0.090 Kg/mt

PR-5683Cover for All Post Profiles
Tüm Dikmeler için Kapak

0.102 Kg/mt

PR-7588Cover for PR-7587
PR-7587 için Kapak



0.280 Kg/mt

PR-151516Ø Safety Bar
16Ø Emniyet Hattı Profil

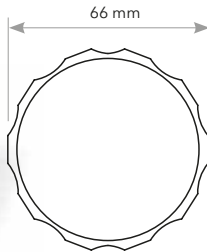
0.510 Kg/mt

PR-500616Ø Safety Bar
16Ø Dolu Emniyet Hattı Profil

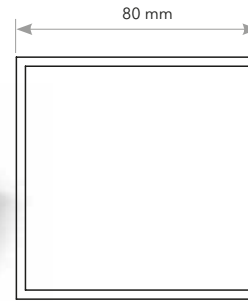
0.340 Kg/mt

PR-523217x17 Safety Bar
17x17 Emniyet Hattı Profil

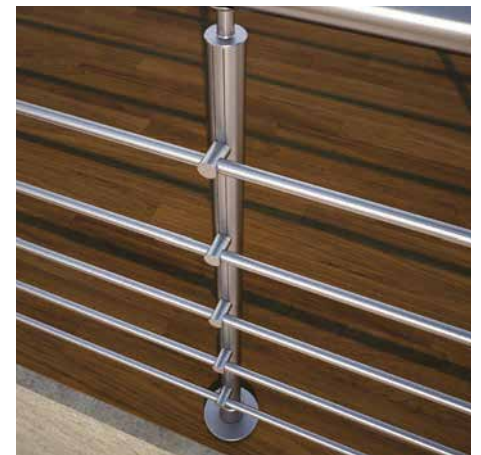
DECORATIVE PROFILES/ BAŞLANGIÇ PROFİLLER



1.450 Kg/mt

PR-700070Ø Decorative Post Profile
70Ø Dekoratif Başlangıç Dikme Profil

2.629 Kg/mt

PR-186280x80 Post Profile
80x80 Başlangıç Dikme Profil



EFT-5027

Marble & Stone Adhesive
Mermer ve taş YapıştırıcıETA Certified
ETA Sertifikalı

EFT-5027K

EFT Chemical Anchor
EFT Kimyasal Dübel

EFT-5027B

Adhesive Pistol
Yapıştırıcı Tabancası

EFT-5027C

Drilling Core
Karot Mermer Delici

EFT-5027D

Adhesive for Aluminium
Yapıştırıcı

EFT-5076

Glass Suction Lifter
Cam Taşıma Vantuzu

EFT-5077

Silicon
Silikon

EFT-5078

Cleaning Spray for
Aluminium Surface
Alüminyum Yüzey Temizleme Spreyi

EFT-5079

Cutting machine
Testere Makinası

EFT-5079T

Saw
Testere

SCREWS / VİDALAR

	CODE /KOD	DESCRIPTION /AÇIKLAMA	PACKAGE /KUTU İÇİ ADET
	EFT-VT75100	7,5x100	1000 / Bx-Kutu
	EFT-VT75120	7,5X120	750 / Bx-Kutu
	EFT-VT75150	7,5X150	600 / Bx-Kutu
	EFT-VP4219	4,2x19	1000 / Bx-Kutu
	EFT-VP4238	4,2x38	1000 / Bx-Kutu
	EFT-VP4838	4,8x38	500 / Bx-Kutu
	EFT-VP4825	4,8x25	1000 / Bx-Kutu
	EFT-VS4540	4,5X40	DIN 9100 - TAPPING SCREW - PLASTIC PLUG 200 / Bx-Kutu PLASTİK DÜBELLİ VİDA



ORDER YOUR SAMPLES



ROUND LINE
RL10



ROUND LINE
RL11



COMBi LINE
CL10



COMBi LINE
CL11



SQUARE
SL10



ROUND LINE
SL11



SQUARE
SL14



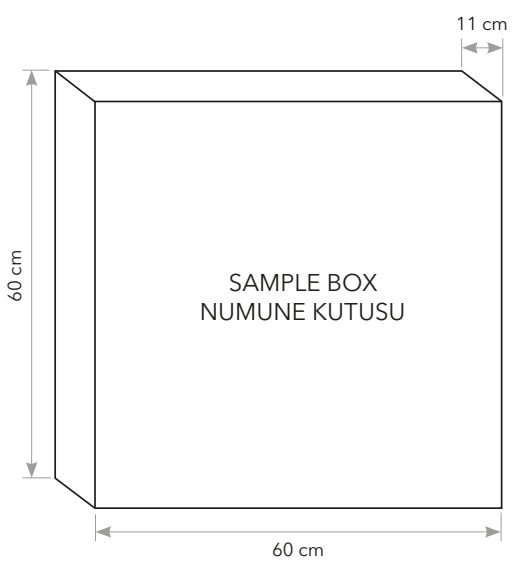
SQUARE
SL15



ROUND LINE
RL12



ROUND LINE
RL15



COMBi LiNE
CL12



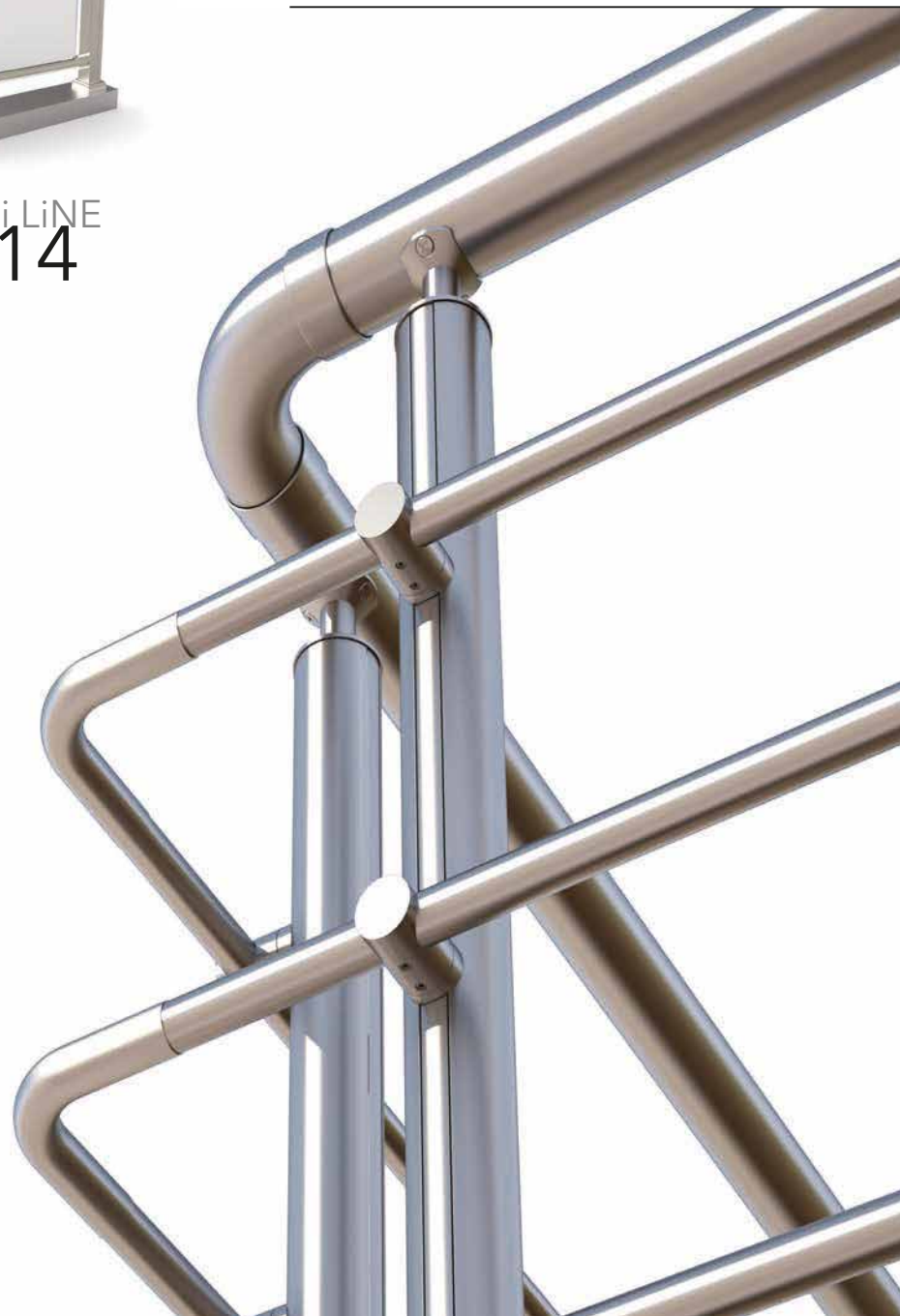
COMBi LiNE
CL14



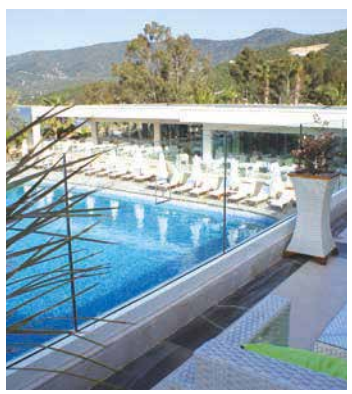
SQUARE
SL12



SQUARE
SL16

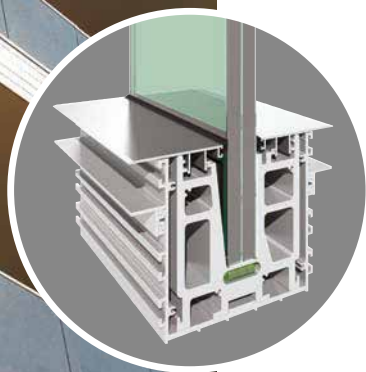


ELEGANT C50

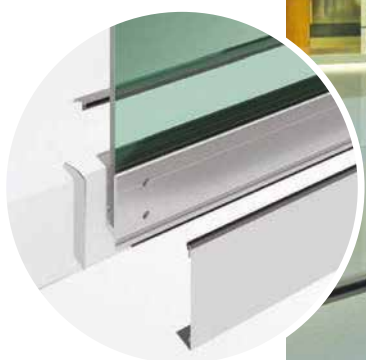




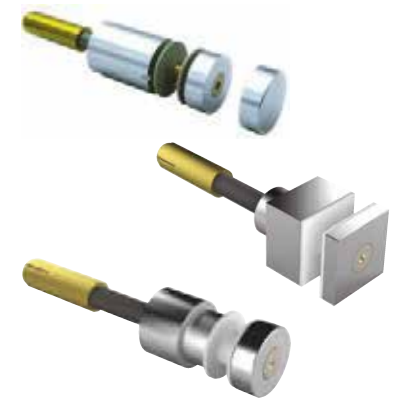
ELEGANT CA50



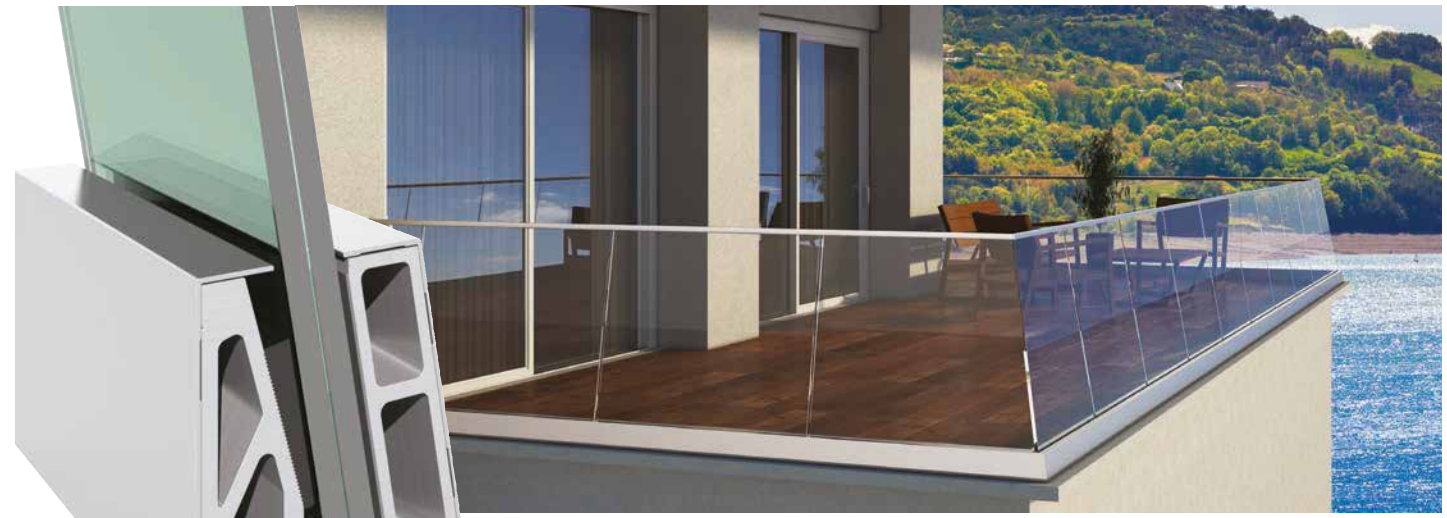
ELEGANT FX50



ELEGANT AL50



ELEGANT RX50



ELEGANT Vista300



V300



V320





+90 216 594 50 30



www.eftcg.com
info@eftcg.com



Ferhatpaşa Mahallesi
Akdal Sokak No:5, Ataşehir / İSTANBUL



EFT CONSTRUCTION GROUP



PT BSV NO
2011/09444

INSPECCO

