

BASIC 60 WINDOW & DOOR SYSTEM

BASIC 60 is a high-performan economic alternative system for windows & doors with it's 60 mm frame depth, 24 mm glass fiber re-enforced polyamide thermal-break and 3 compartmental structure.

The system features all kinds of desired openings and alternatives of use for windows & doors such as inward - outward opening, tilt & turn opening, vasistas window. As Euro Groove, it can be used with all opening mechanisms including PVC opening mechanism.

It has a profile wall thickness between 1.6 mm and 2.0 mm, the system allows glass usage up to 48 mm thickness. The system has 60 mm frame depth and 69 mm sash depth.



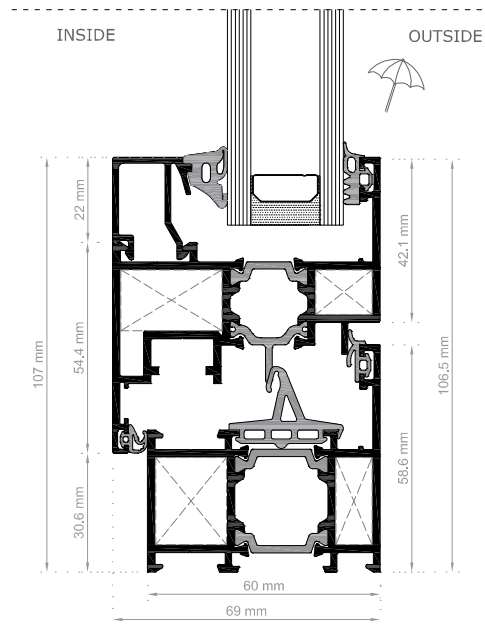
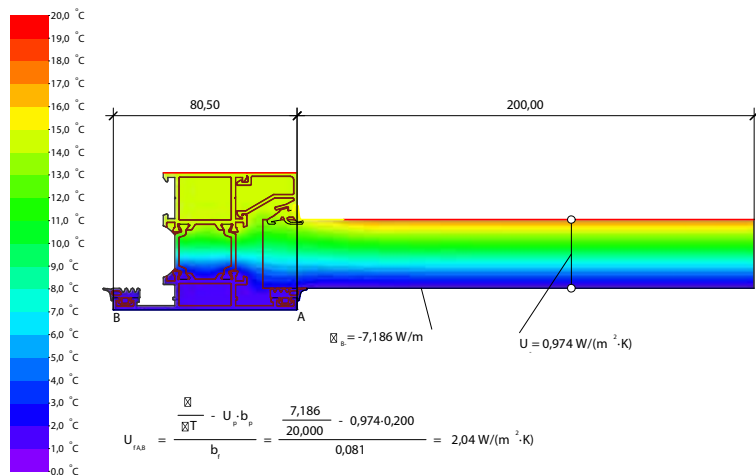
BASIC 60 WINDOW & DOOR SYSTEM

TECHNICAL SPECIFICATIONS

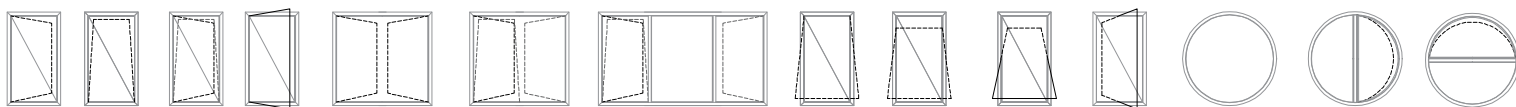
Frame Depth: 60 mm
 Sash Depth: 69 mm
 Glass Thickness: between 4 mm and 48 mm

PERFORMANCE FEATURES

Air Permeability: A4 - 600 Pa / EN 12207
 Water Tightness: E1200 - 1200 Pa / EN 12208
 Wind Load Resistance: C5-B5 - 2000 Pa / EN 12210
 Thermal Insulation (Uf) 1.9 - 2.1 W/m²K



WINDOWS



DOORS

