

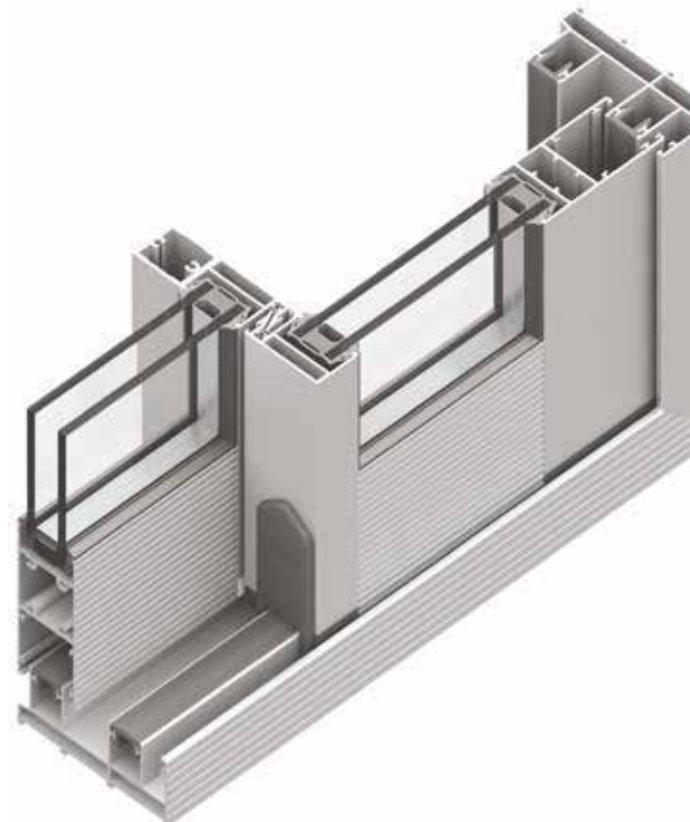
SNT 91 SLIDING SYSTEM

This system provides the application on wide spacing in hot climate areas and variant connection details on both wall & floor connections.

This system contains different options in itself as with glazing beads and U gasket option without glazing bead. The structure of the system with EPDM gaskets provides high thermal performance features on air permeability, water tightness and resistance to wind load. As Euro Groove, it can be used with all opening mechanisms with different brands. The system enables multiple locking.

It has a profile wall thickness between 1.6 mm and 2.0 mm, the system allows glass usage between 4 to 24 mm. The system has 93.2 mm frame depth and 36 mm sash depth.

System allows a continuous panoramic view with only 20 mm of visibility at the connect profile point.



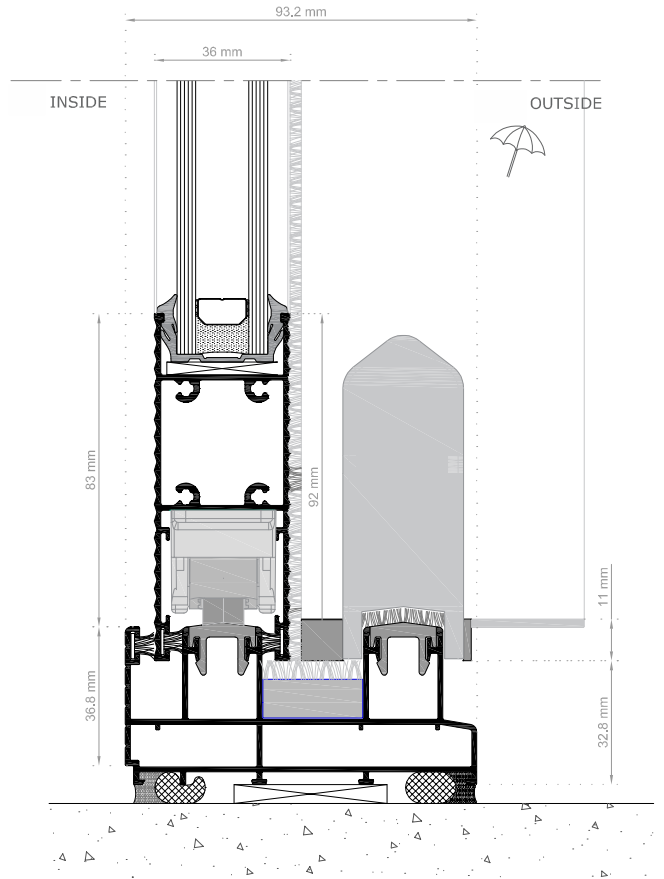
SNT 91 SLIDING SYSTEM

TECHNICAL SPECIFICATIONS

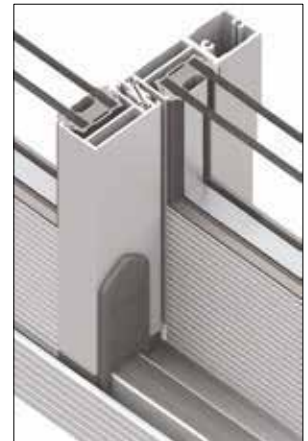
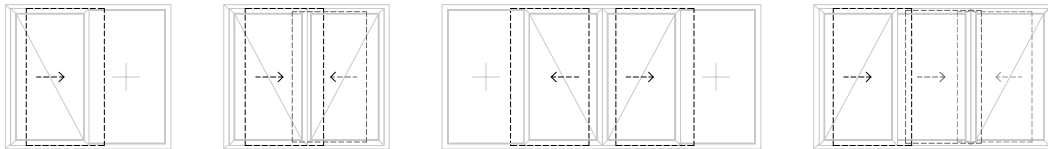
- Frame Depth: 93.2 mm
- Sash Depth: 36 mm
- Frame Height: 41.8 mm
- Sash Height: 92 mm
- Frame-Sash Height: 125.3 mm
- Interlock Profile Visible Width: 20 mm
- Glass Thickness: between 4 mm and 24 mm

PERFORMANCE FEATURES

- Air Permeability: A4 - 600 Pa / EN 12207
- Water Tightness: 7A - 300 Pa / EN 12208
- Resistance to Wind Load: C3-B3 - 1200 Pa / EN 12210
- Thermal Insulation (Uf) < 2.3 W/m²K



INLINE SLIDING



System allows a continuous panoramic view with only 20 mm of visibility at the connect profile point.

